

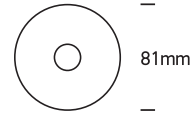
INSTALLATION MANUAL

10108R

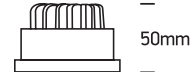
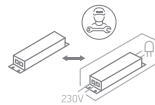
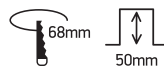
ecolight



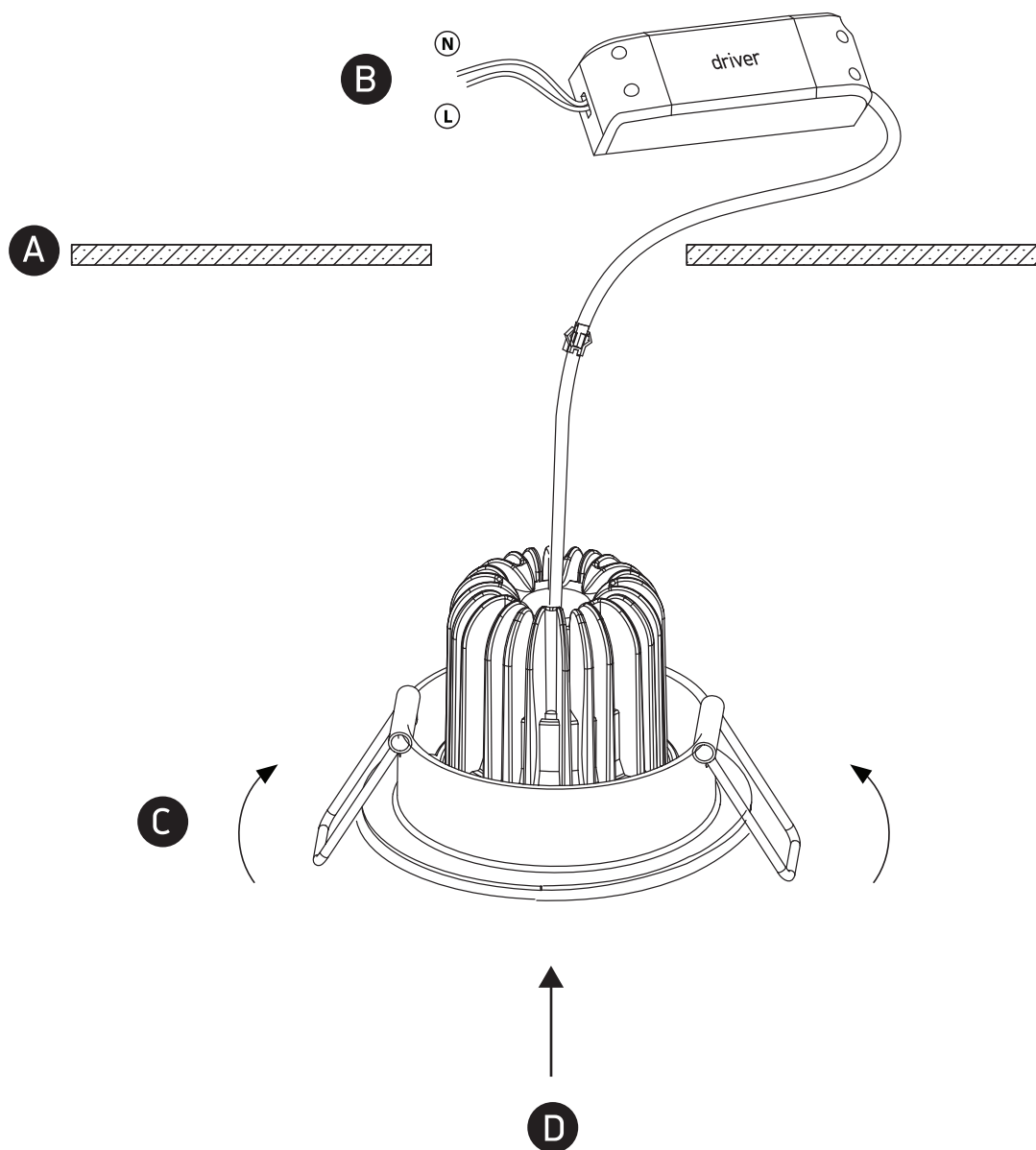
80
CRI



230V | COB LED | 8W | IP20 | Die cast
Complete with 350mA driver.



one
LIGHT



Warnings:

1. Make sure that the product is installed properly before connecting to electricity.
2. Do not cover the fitting.
3. Maintenance and installation should only be carried out by a professional electrician.