

# INSTALLATION MANUAL

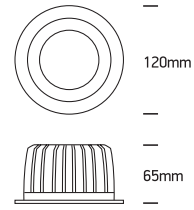
## 10110CA

**ecodownlight**

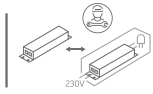


CE

RoHS  
COMPLIANT



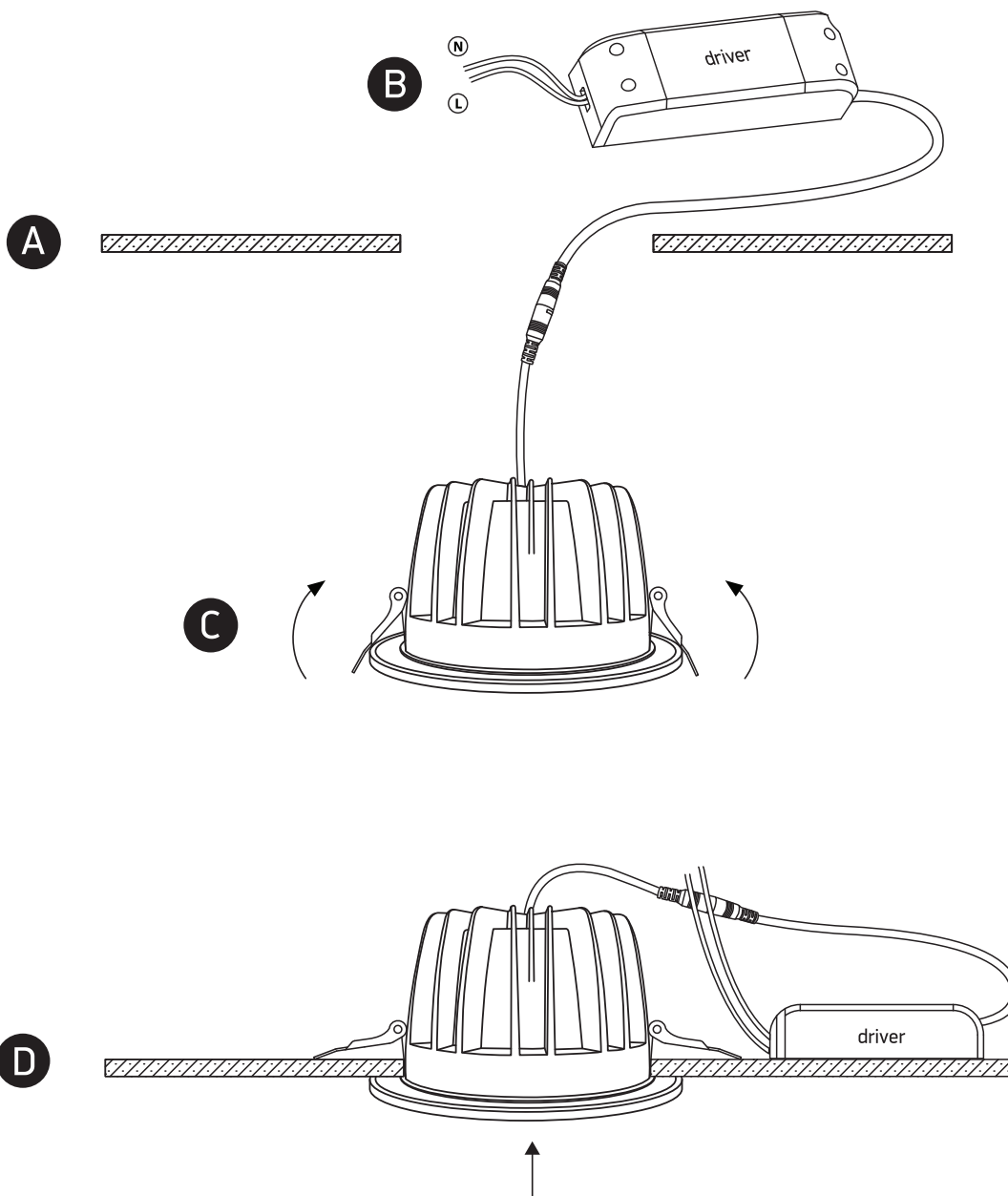
230V | COB LED | 10W | IP20 | Die cast  
Complete with 300mA driver.



80  
CRI



**one**  
LIGHT



### Warnings:

1. Make sure that the product is installed properly before connecting to electricity.
2. Do not cover the fitting.
3. Maintenance and installation should only be carried out by a professional electrician.