

INSTALLATION MANUAL

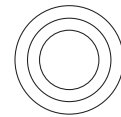
10110CA

ecodownlight



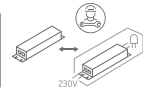
CE

RoHS
COMPLIANT

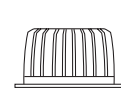


120mm

230V | COB LED | 10W | IP20 | Die cast
Complete with 300mA driver.

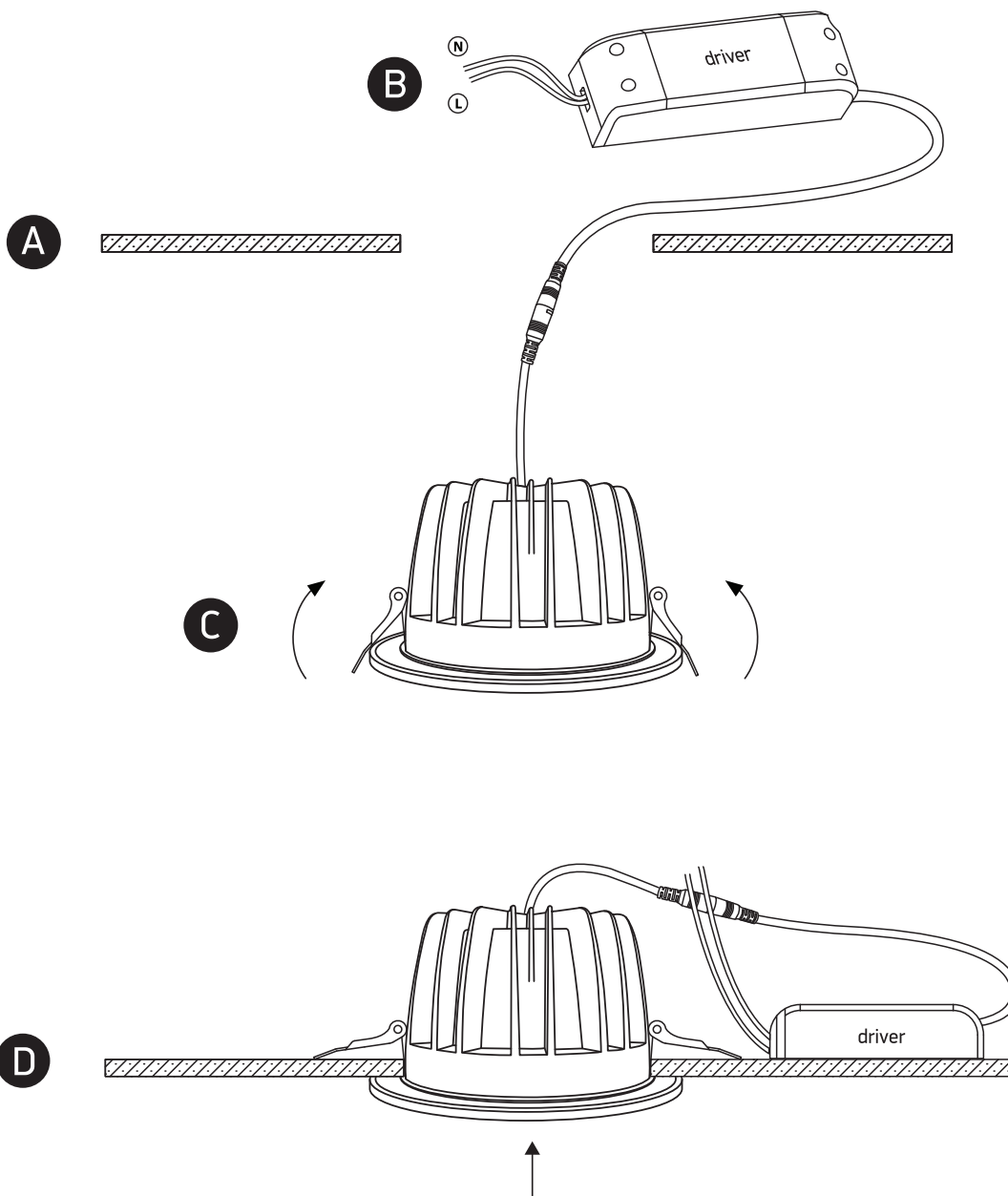


80
CRI



65mm

one
LIGHT



Warnings:

1. Make sure that the product is installed properly before connecting to electricity.
2. Do not cover the fitting.
3. Maintenance and installation should only be carried out by a professional electrician.