

# INSTALLATION MANUAL

## 10110P

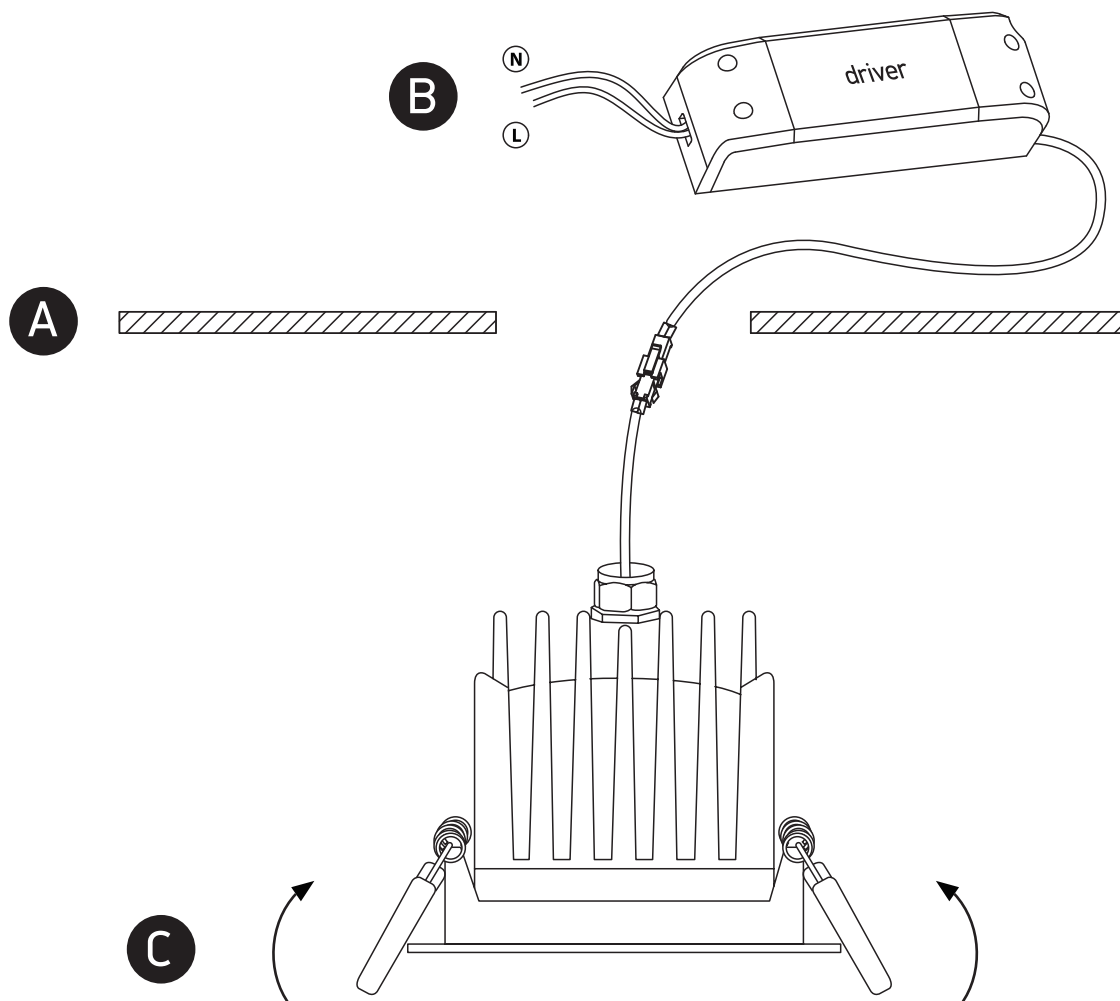
**ecolight**


85mm

**700mA | COB LED | 12W | IP65 | Die cast**
**Requires 700mA driver.**

**90 CRI**


80mm

**one**  
LIGHT


### Warnings:

1. Make sure that the product is installed properly before connecting to electricity.
2. Do not cover the fitting.
3. Maintenance and installation should only be carried out by a professional electrician.