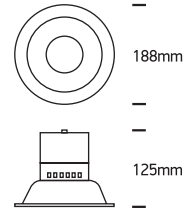


# INSTALLATION MANUAL

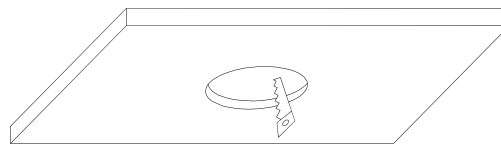
## 10112KD

**ecodownlight**


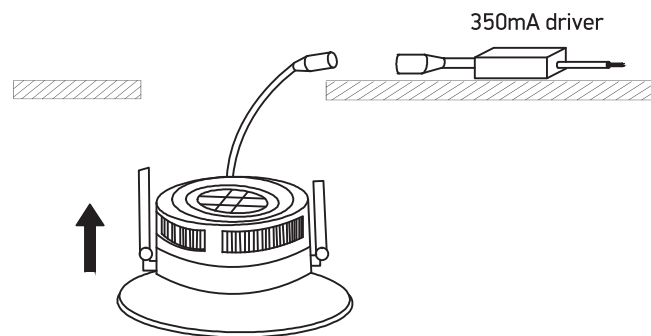
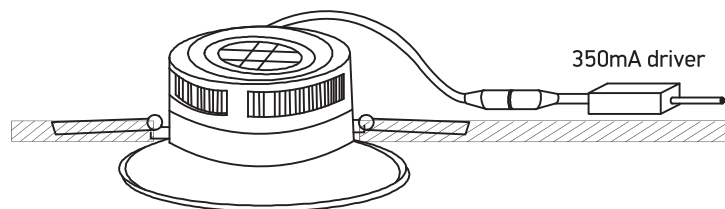
350mA | 12W | IP20 | Plastic

Requires 350mA driver


**one**  
LIGHT

**A**


CUTOUT HOLE: 168mm

**B**

**C**


### Warnings:

1. Make sure that the product is installed properly before connecting to electricity.
2. Do not cover the fitting.
3. Maintenance and installation should only be carried out by a professional electrician.