

# INSTALLATION MANUAL

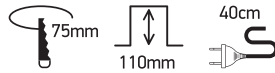
## 10112TP

**ecolight**



82mm

700mA | COB LED | 12W | IP65 | Die cast | Semi trimless  
Requires 700mA driver.

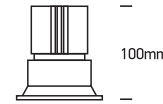


110mm



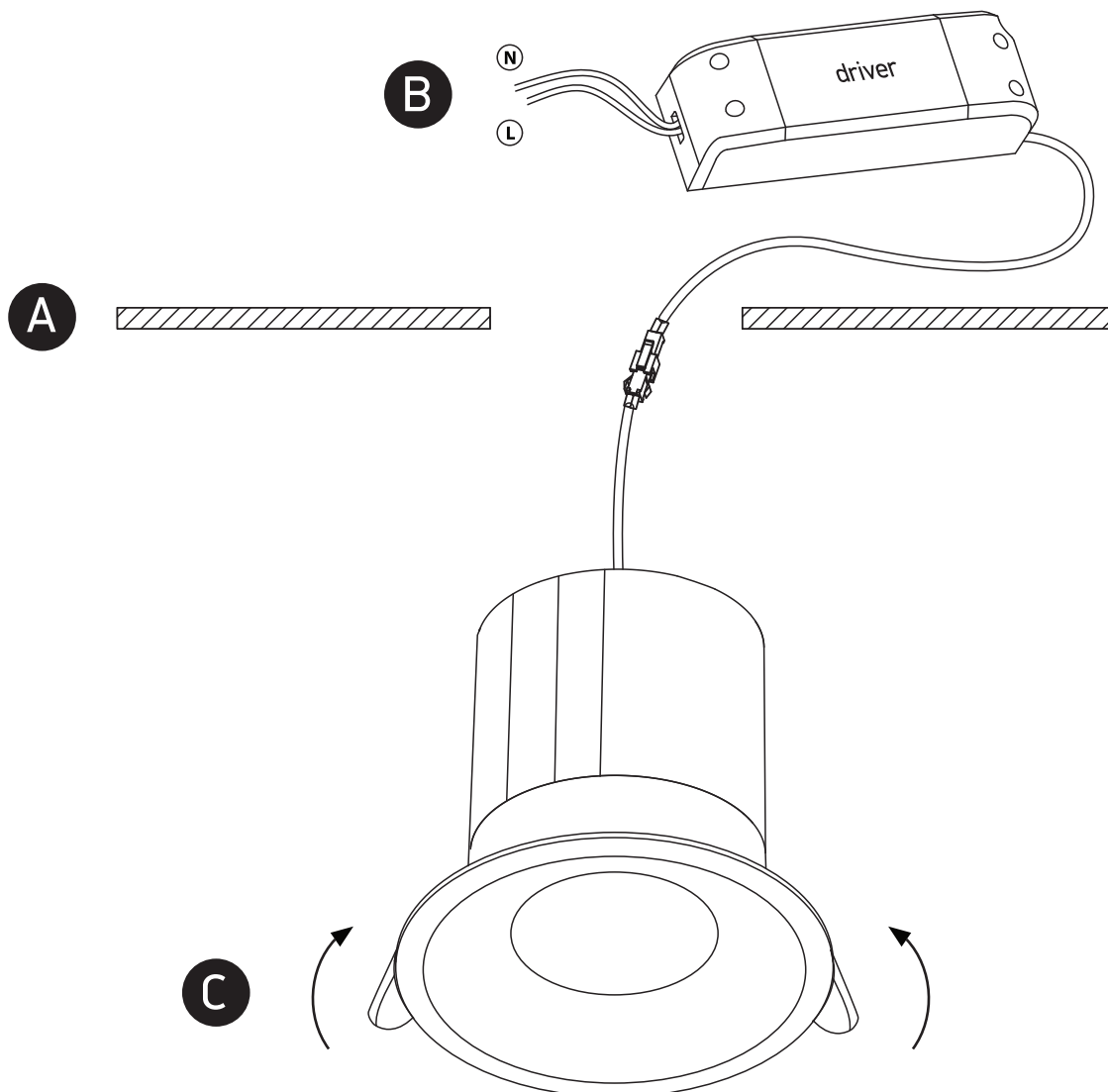
40cm

90  
CRI



100mm

**one**  
LIGHT



### Warnings:

1. Make sure that the product is installed properly before connecting to electricity.
2. Do not cover the fitting.
3. Maintenance and installation should only be carried out by a professional electrician.