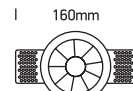


INSTALLATION MANUAL

10112XTR

LED
BUILT IN

DARK
LIGHT
90
CRI

CE EAC UK CA
RoHS
COMPLIANT


160mm

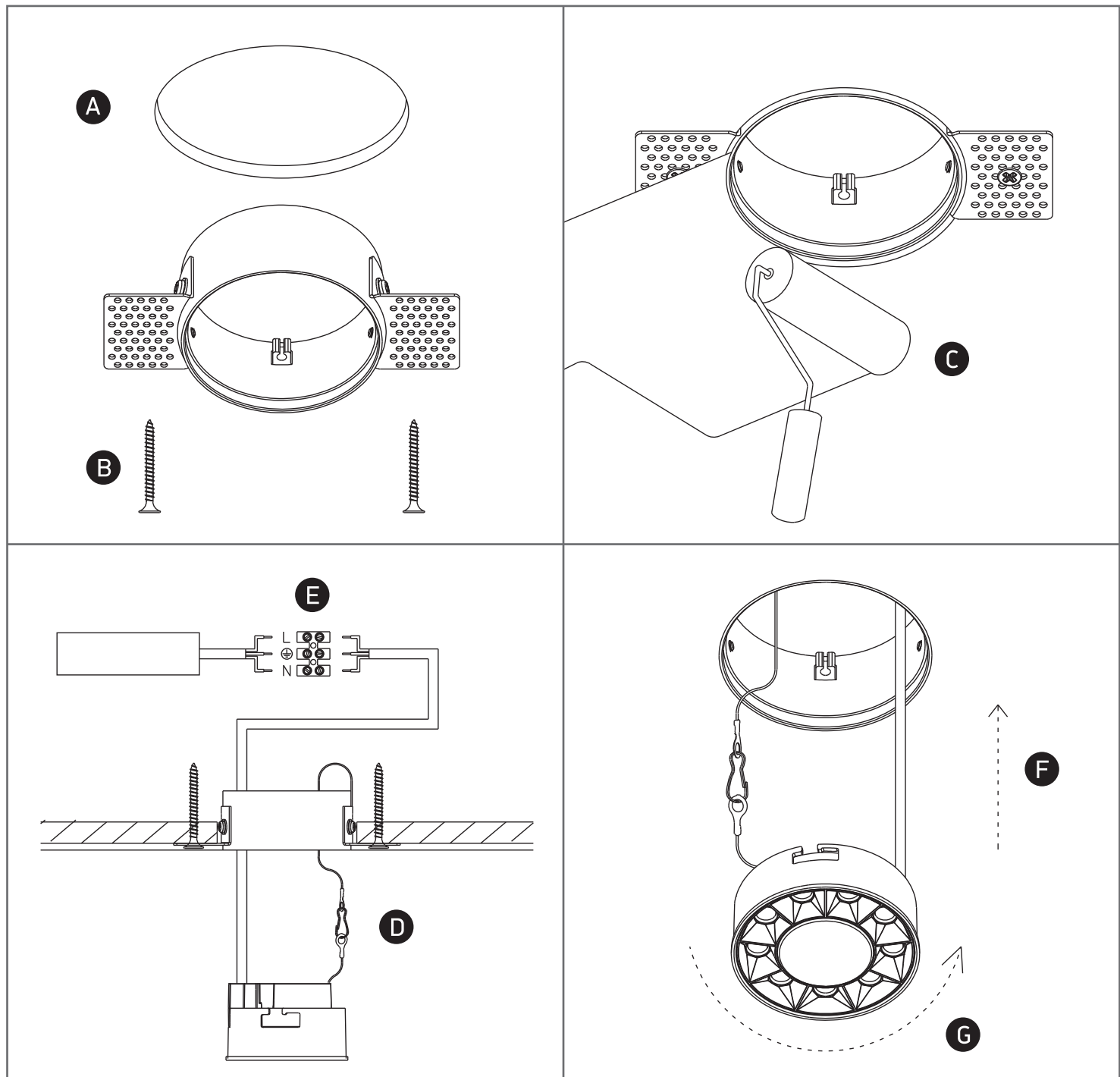
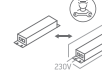


100mm



37mm

one
LIGHT

 230V | SMD 3030 | 12W | IP20 | Trimless | Aluminium
Complete with 300mA driver.


Warnings:

1. Make sure that the product is installed properly before connecting to electricity.
2. Do not cover the fitting.
3. Maintenance and installation should only be carried out by a professional electrician.