

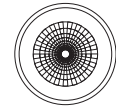
INSTALLATION MANUAL

10115CD

ecodownlight



Ra>80



170mm

230V | 15W | IP20 | Die cast

Complete with driver.

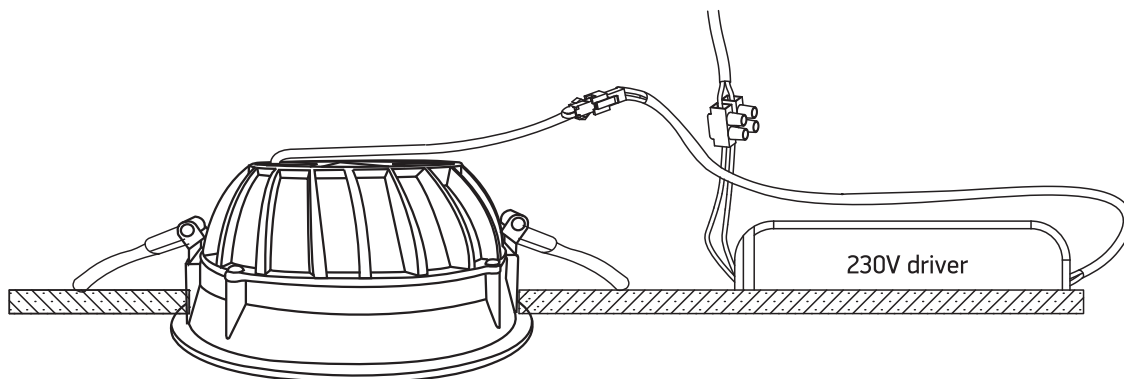
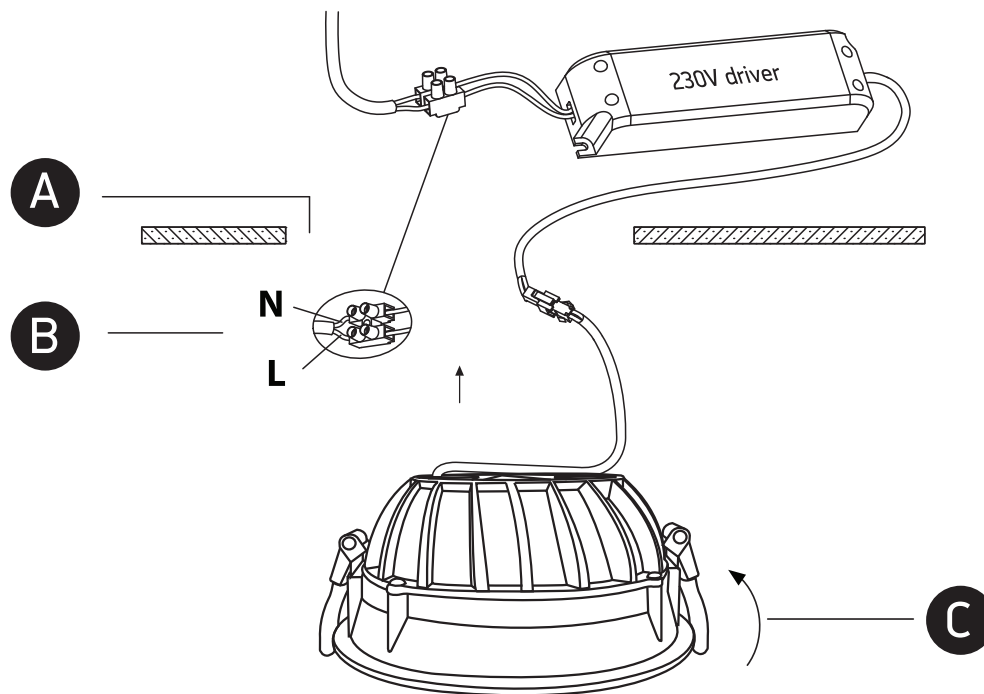


90mm



75mm

one
LIGHT



Warnings:

1. Make sure that the product is installed properly before connecting to electricity.
2. Do not cover the fitting.
3. Maintenance and installation should only be carried out by a professional electrician.