

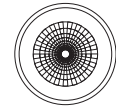
# INSTALLATION MANUAL

## 10140CD

**ecodownlight**



Ra>80



260mm

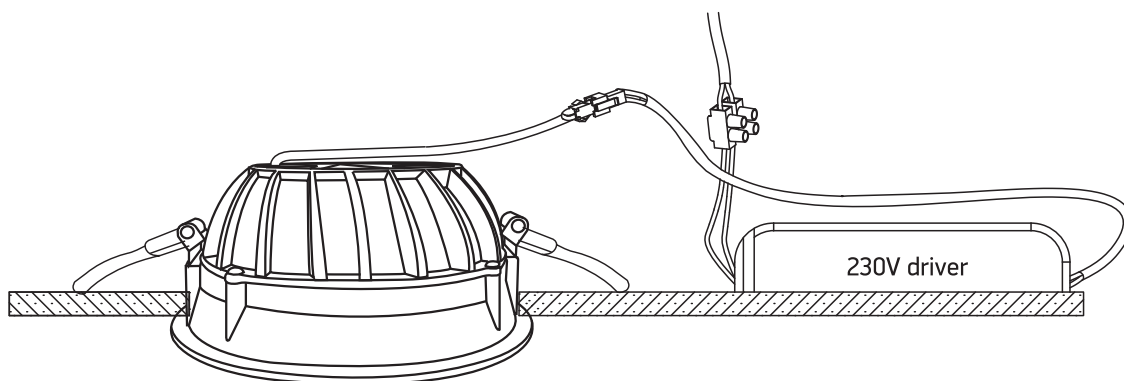
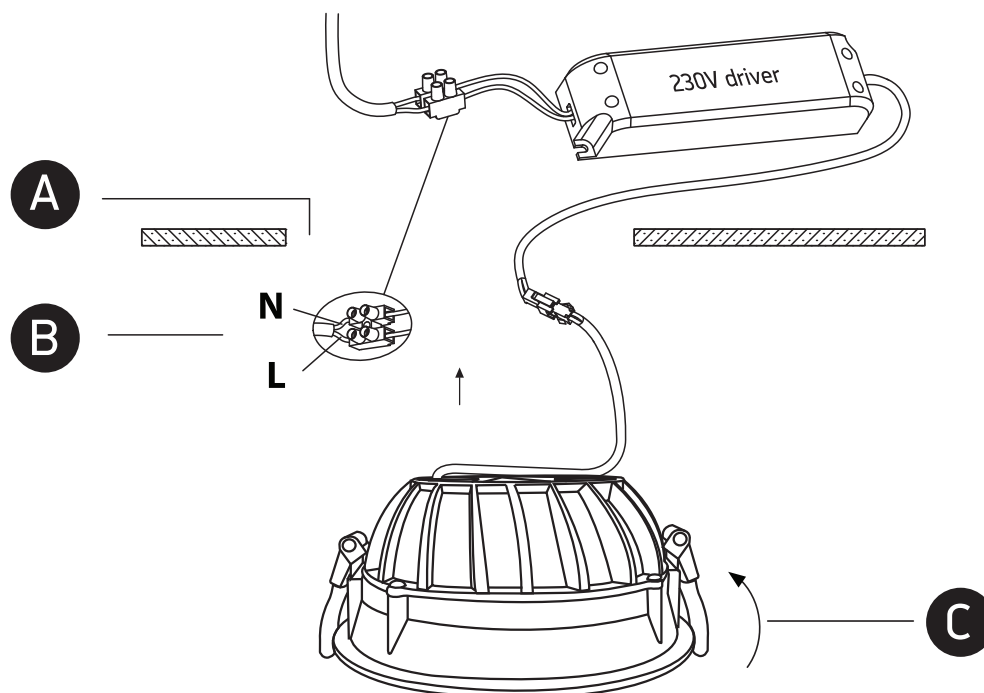
230V | 40W | IP20 | Die cast

Complete with driver.



90mm

**one**  
LIGHT



### Warnings:

1. Make sure that the product is installed properly before connecting to electricity.
2. Do not cover the fitting.
3. Maintenance and installation should only be carried out by a professional electrician.