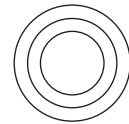


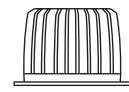
INSTALLATION MANUAL

10160CA

ecodownlight

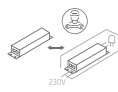


230mm



120mm

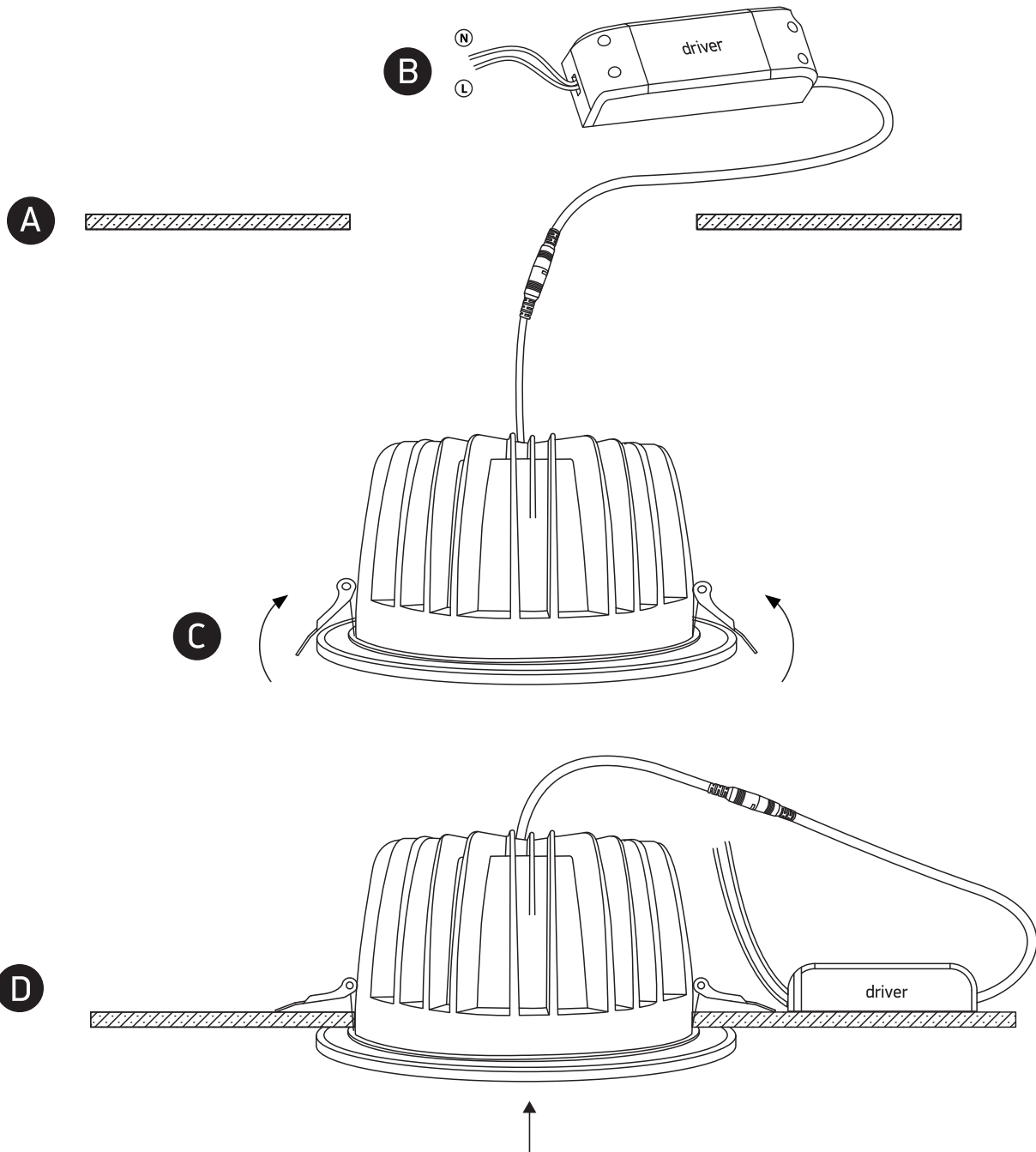
230V | COB LED | 60W | IP20 | Die cast
Complete with 1500mA driver.



80 CRI



one
LIGHT



Warnings:

1. Make sure that the product is installed properly before connecting to electricity.
2. Do not cover the fitting.
3. Maintenance and installation should only be carried out by a professional electrician.