

# INSTALLATION MANUAL

## 11103B

**ecolight**



90  
CRI

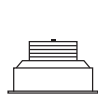


350mA/700mA | 1W/2W | IP20 | Aluminium | Adjustable

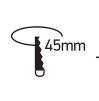
For 1W use 350mA driver / For 2W use 700mA driver.



52mm



36mm



45mm

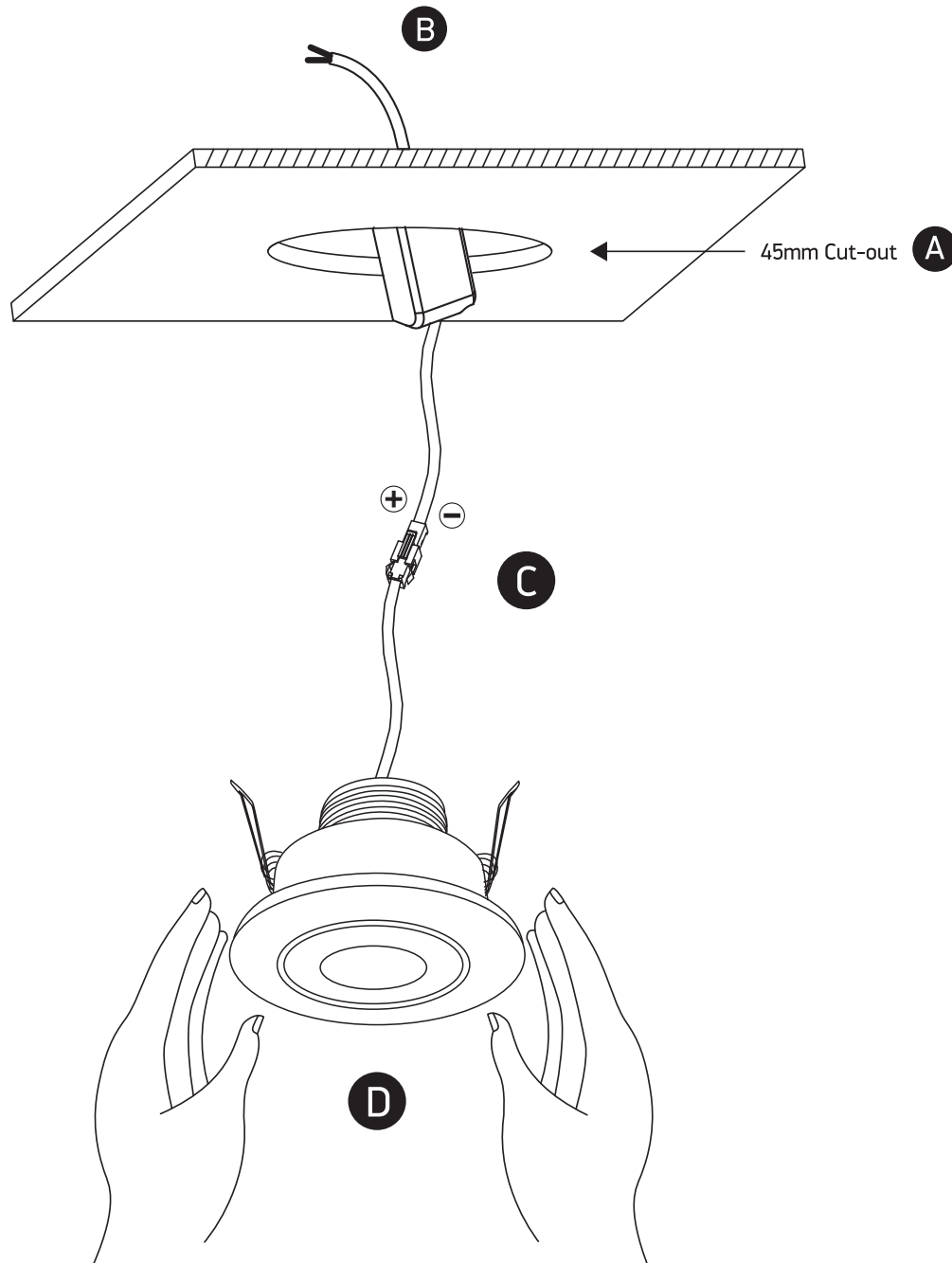


60mm



40cm

**one**  
LIGHT



### Warnings:

1. Make sure that the product is installed properly before connecting to electricity.
2. Do not cover the fitting.
3. Maintenance and installation should only be carried out by a professional electrician.