

# INSTALLATION MANUAL

## 11103E

**ecolight**



350mA | 3W | IP20 | Aluminium | Adjustable  
Requires 350mA driver.



48mm



40mm



40mm

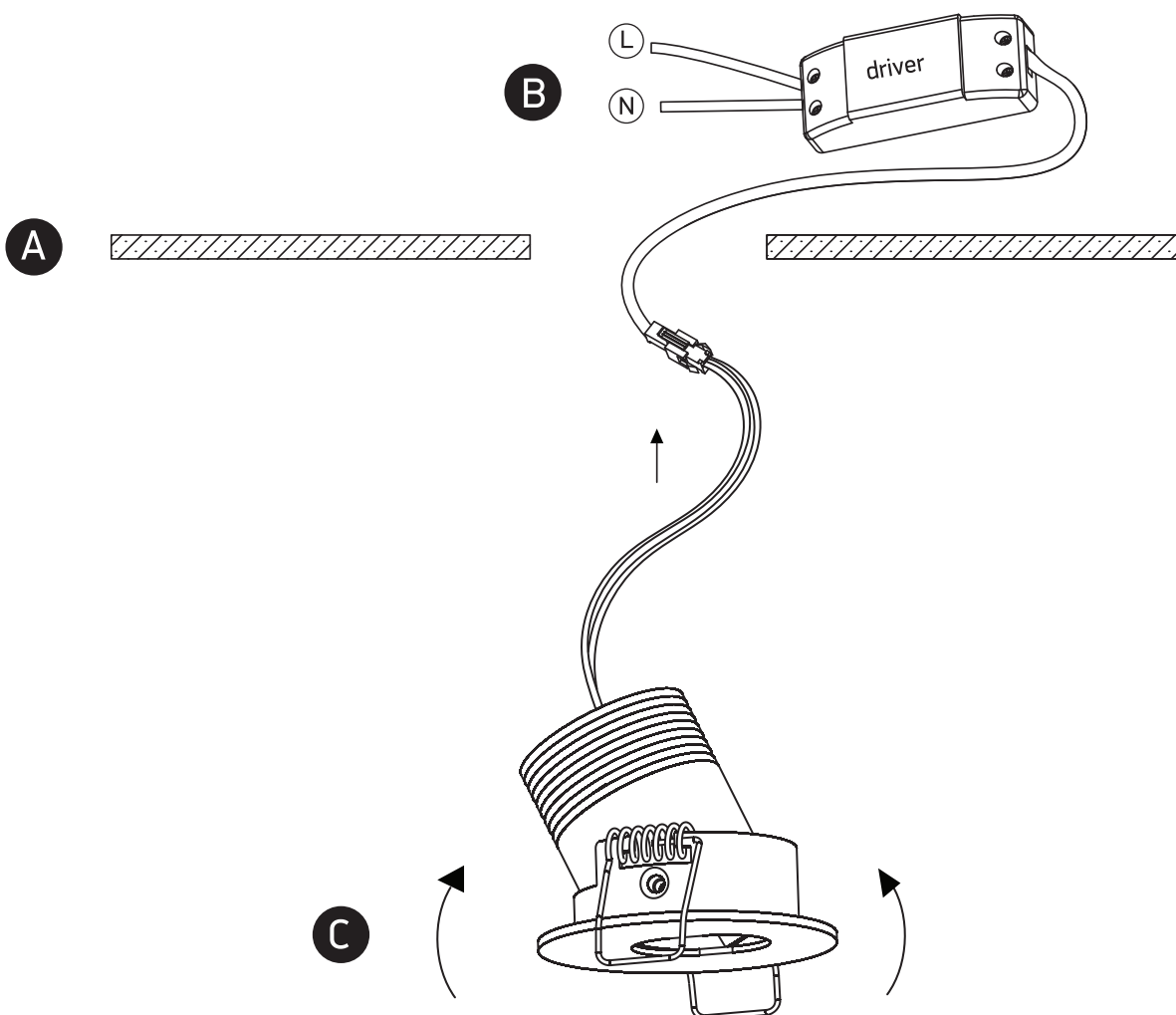


60mm



40cm

**one**  
LIGHT



### Warnings:

1. Make sure that the product is installed properly before connecting to electricity.
2. Do not cover the fitting.
3. Maintenance and installation should only be carried out by a professional electrician.