

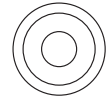
INSTALLATION MANUAL

11104K

ecolight



DARK LIGHT



68mm

350mA/500mA | 3W/5W | IP20 | Aluminium | Adjustable
Requires 350mA/500mA driver / Ring must be ordered separately.

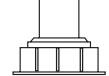
80 CRI



60mm

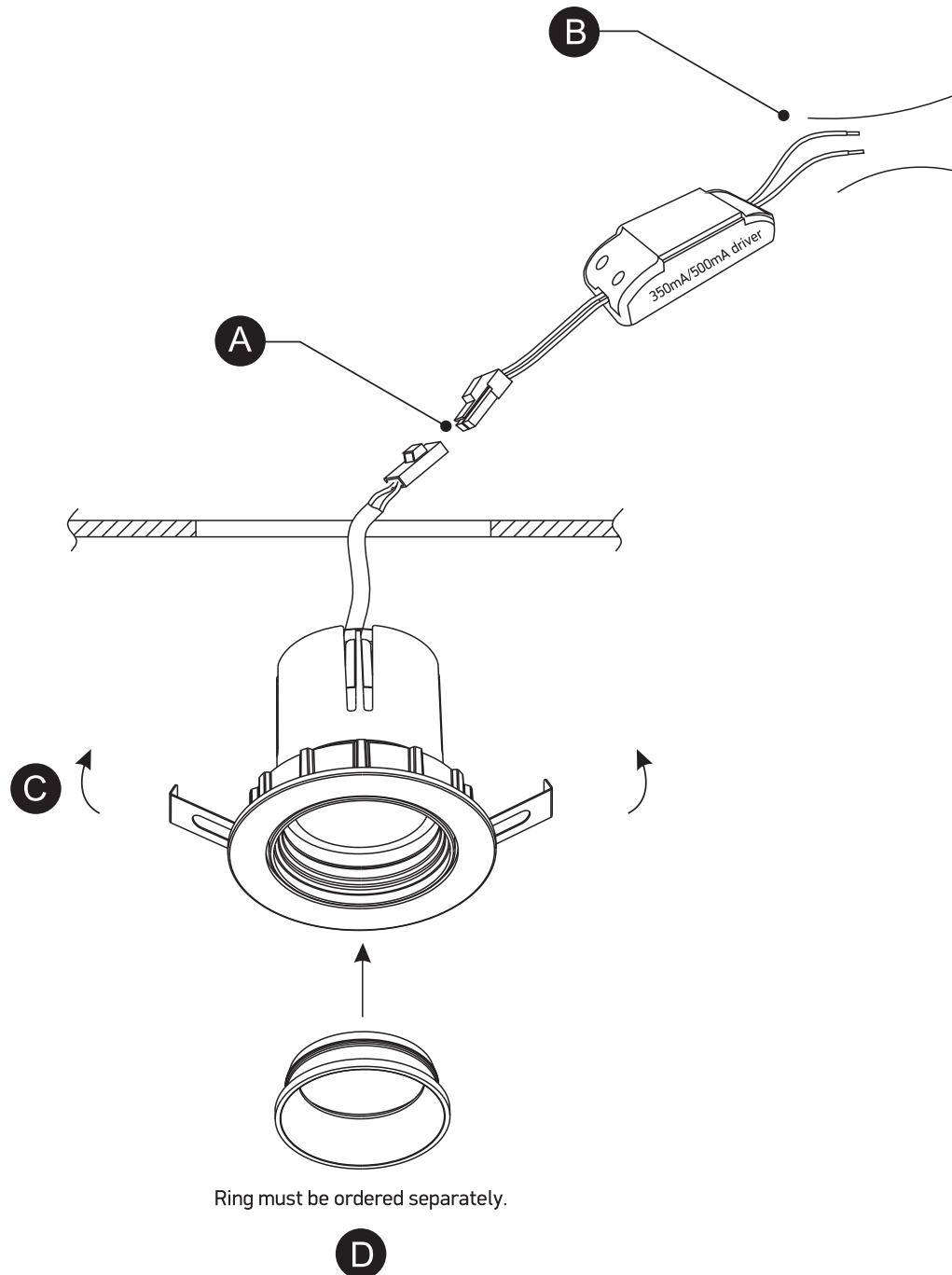
80mm

40cm



62mm

one
LIGHT



Warnings:

1. Make sure that the product is installed properly before connecting to electricity.
2. Do not cover the fitting.
3. Maintenance and installation should only be carried out by a professional electrician.