

INSTALLATION MANUAL

11107C

ecolight



90
CRI

CE

EAC

UK

CA

RoHS

REACH

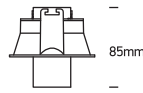
WEEE

STAMP

700mA | COB LED | 6,5W | IP20 | Die cast | Adjustable
Requires 700mA driver.



90mm



85mm



83mm



80mm

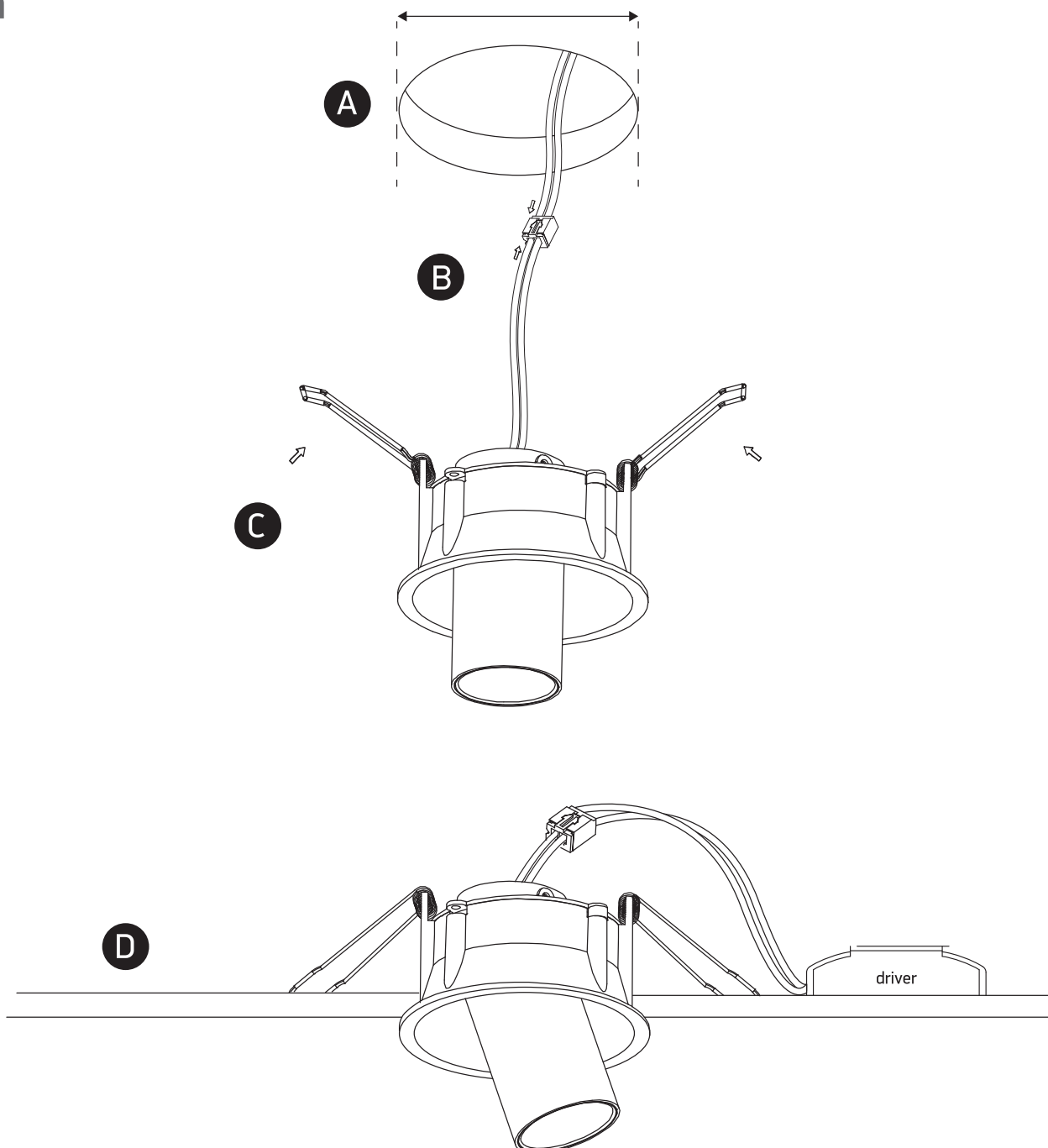


40cm

one
LIGHT



CUTOUT HOLE: 83mm



Warnings:

1. Make sure that the product is installed properly before connecting to electricity.
2. Do not cover the fitting.
3. Maintenance and installation should only be carried out by a professional electrician.