









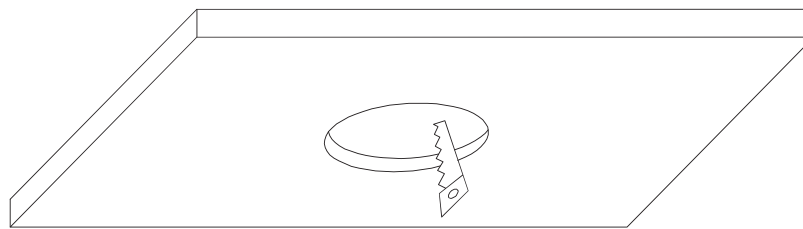
INSTALLATION MANUAL

11110F

ecodownlight	   	CE	RoHS COMPLIANT					108mm
								230V 10W IP20 Die cast

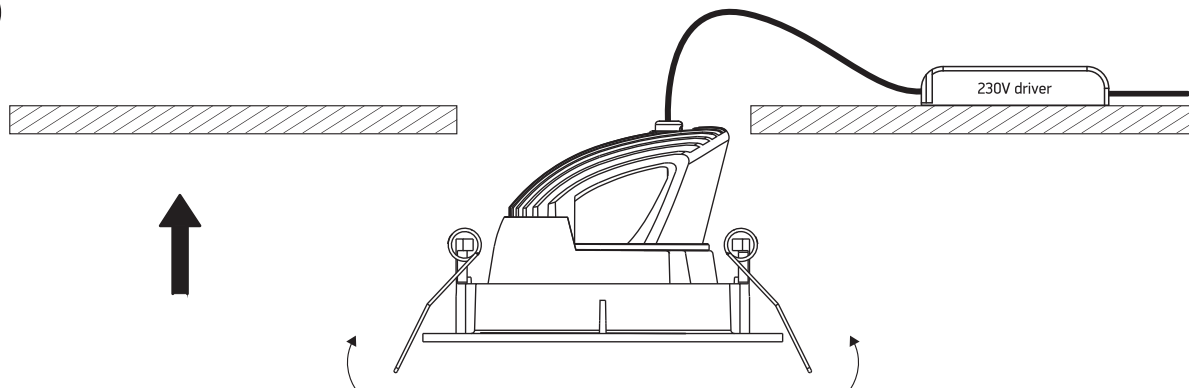


A

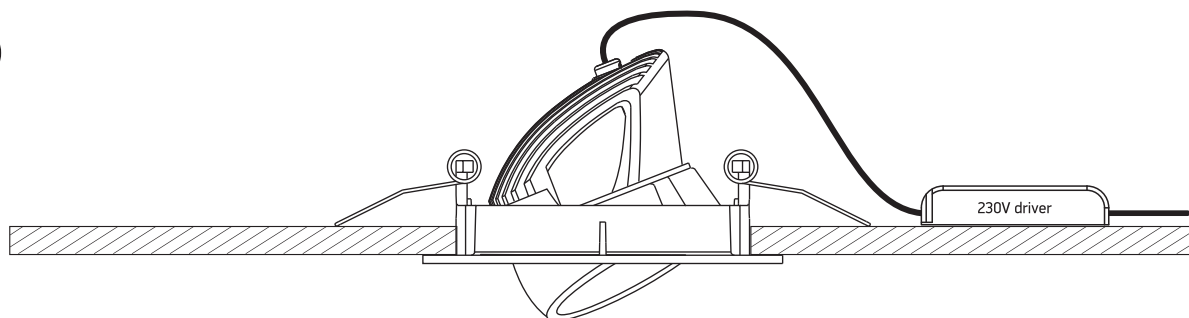


CUTOUT HOLE: 90mm

B



C



Warnings:

1. Make sure that the product is installed properly before connecting to electricity.
2. Do not cover the fitting.
3. Maintenance and installation should only be carried out by a professional electrician.