

# INSTALLATION MANUAL

## 11111C

**ecolight**



DARK  
LIGHT



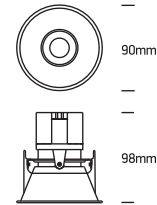
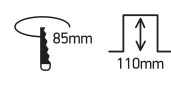
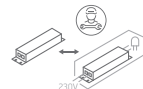
ADJUSTABLE  
90  
CRI



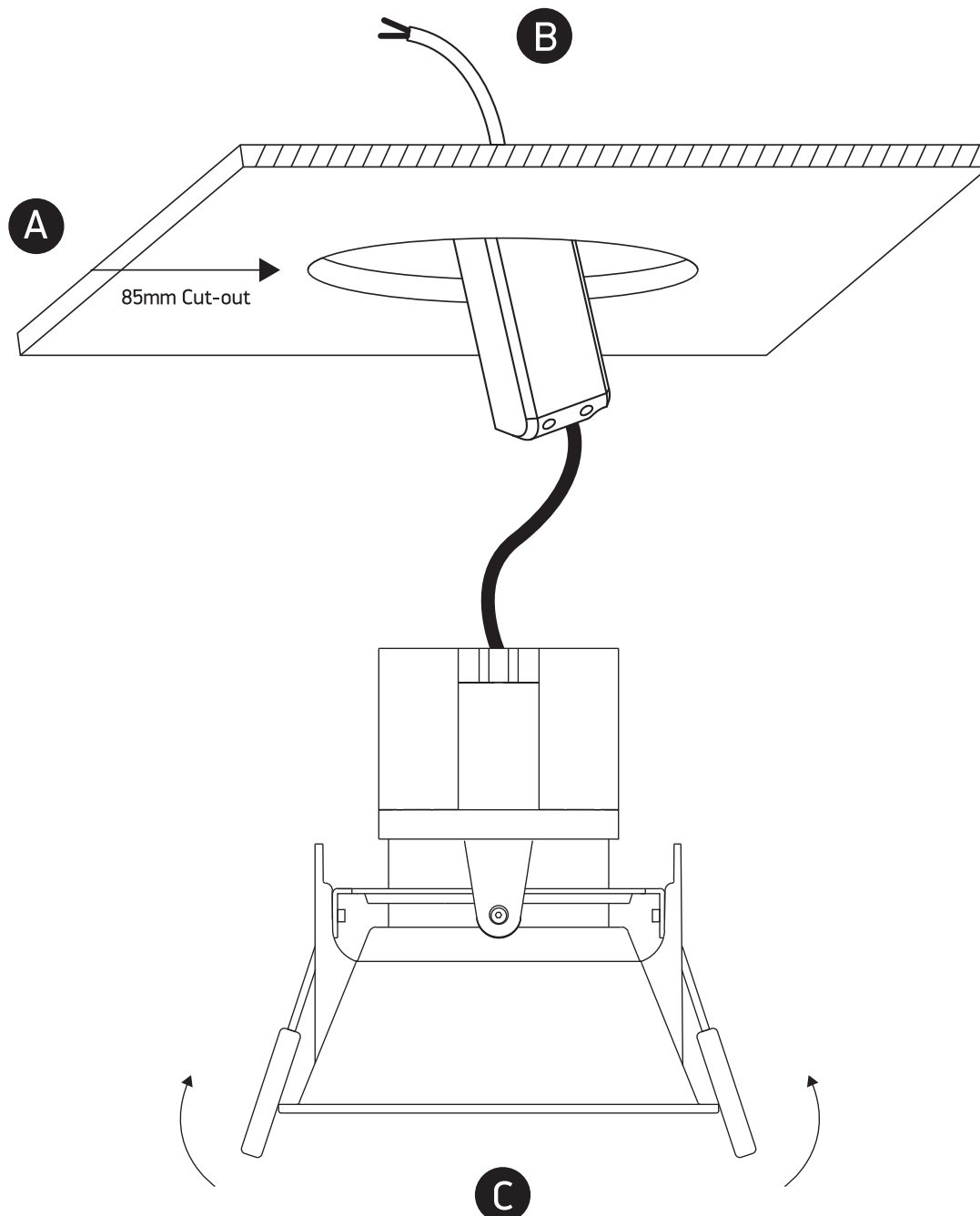
230V | 11W | COB LED | IP20 | Die cast | Adjustable

Complete with 250mA driver.

Complete with Black & Brass reflectors.



**one**  
LIGHT



### Warnings:

1. Make sure that the product is installed properly before connecting to electricity.
2. Do not cover the fitting.
3. Maintenance and installation should only be carried out by a professional electrician.