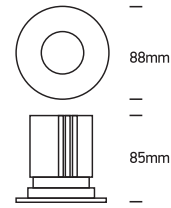


# INSTALLATION MANUAL

11112

**ecolight**



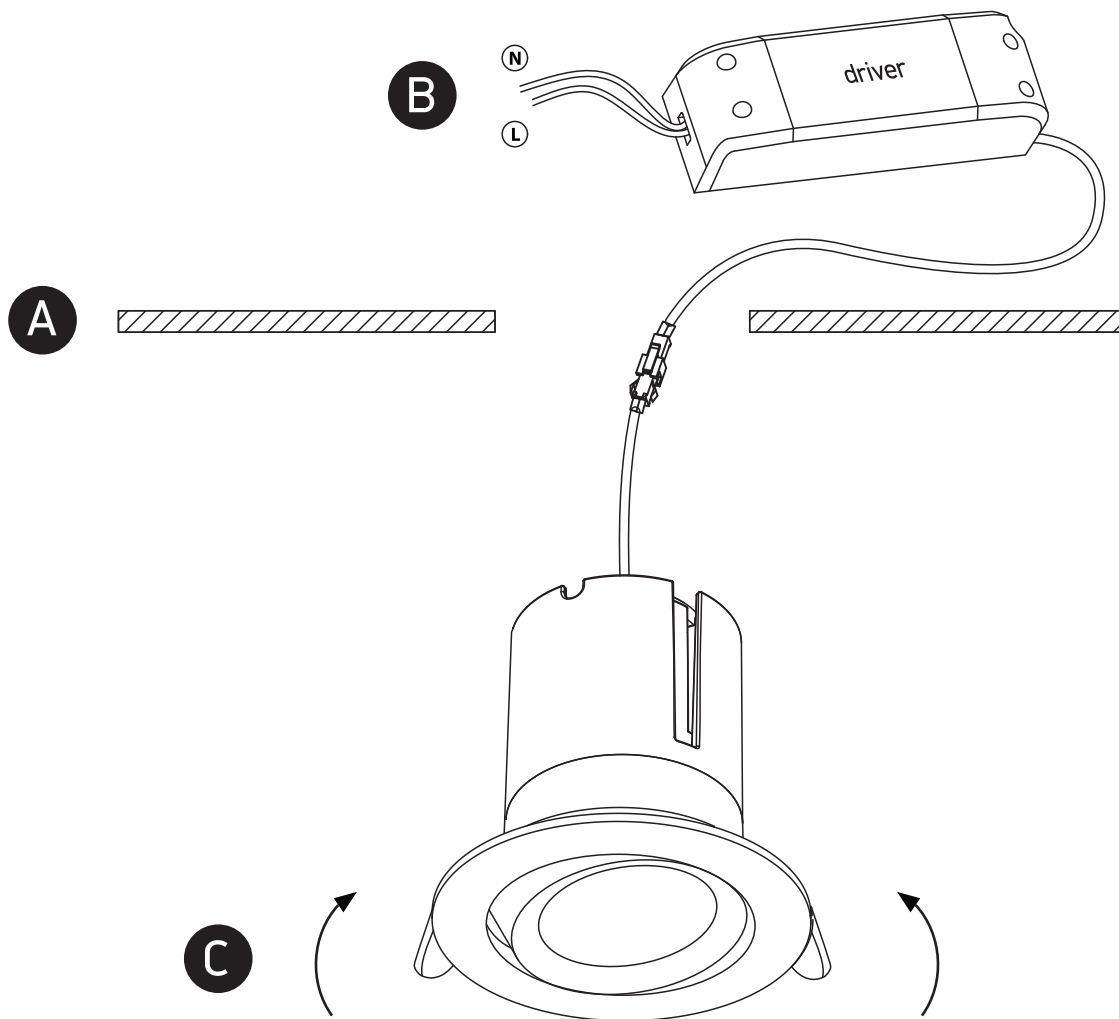
700mA | COB LED | 12W | IP20 | Die cast | Adjustable

Requires 700mA driver.



90  
CRI

**one**  
LIGHT



## Warnings:

1. Make sure that the product is installed properly before connecting to electricity.
2. Do not cover the fitting.
3. Maintenance and installation should only be carried out by a professional electrician.