

# INSTALLATION MANUAL

## 11112E

**ecolight**



DARK LIGHT

700mA | 12W | IP20 | Die cast | Adjustable  
Requires 700mA driver.



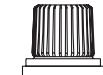
80 CRI



100mm



87mm



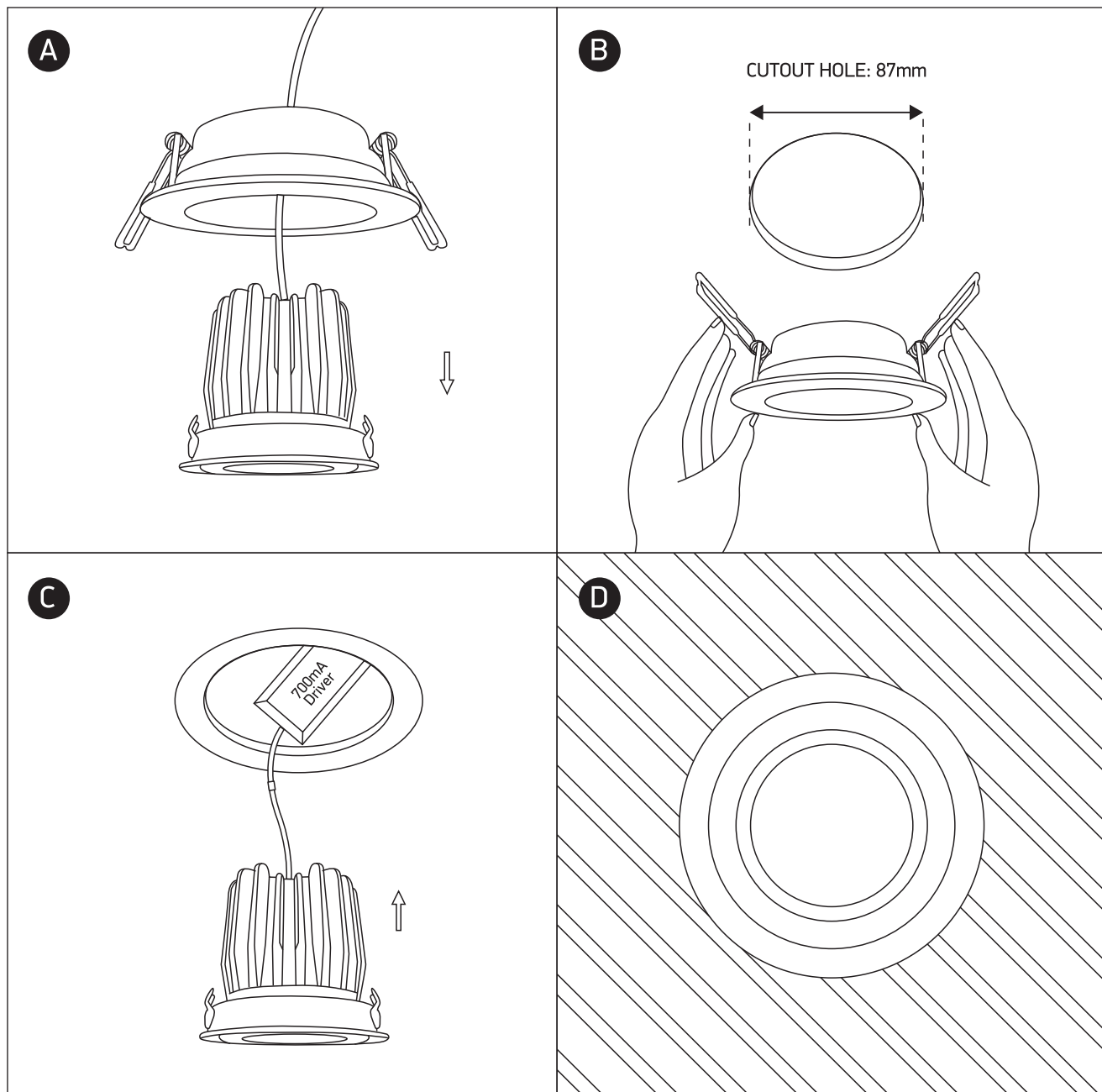
80mm



95mm

40cm

**one**  
LIGHT



### Warnings:

1. Make sure that the product is installed properly before connecting to electricity.
2. Do not cover the fitting.
3. Maintenance and installation should only be carried out by a professional electrician.