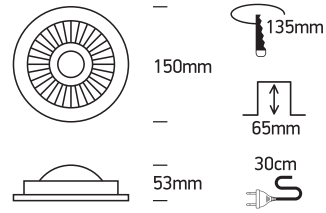


INSTALLATION MANUAL

11115E

ecodownlight

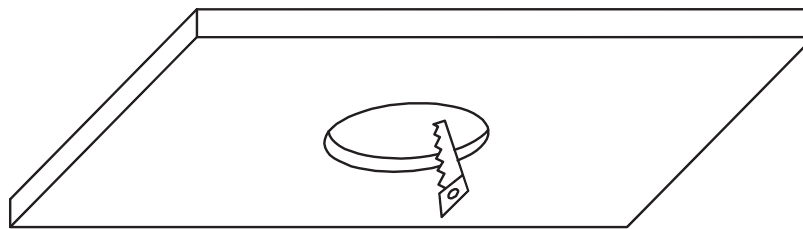


350mA | 15W | IP20 | Die cast | Adjustable
Requires 350mA driver



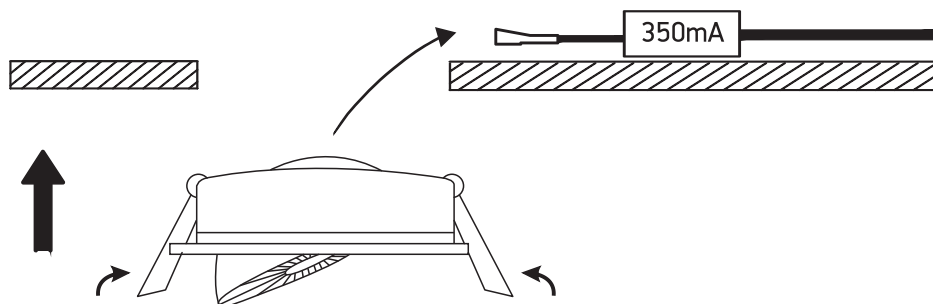
one
LIGHT

A

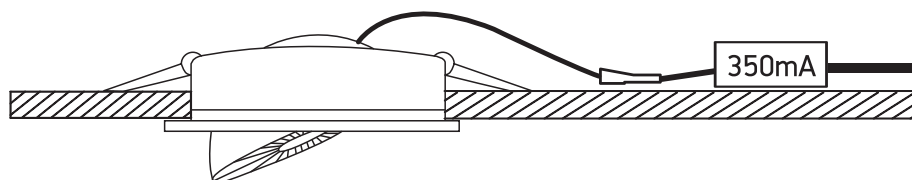


CUTOUT HOLE: 135mm

B



C



Warnings:

1. Make sure that the product is installed properly before connecting to electricity.
2. Do not cover the fitting.
3. Maintenance and installation should only be carried out by a professional electrician.