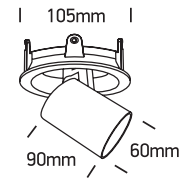


INSTALLATION MANUAL

11115RA

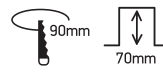
ecodownlight



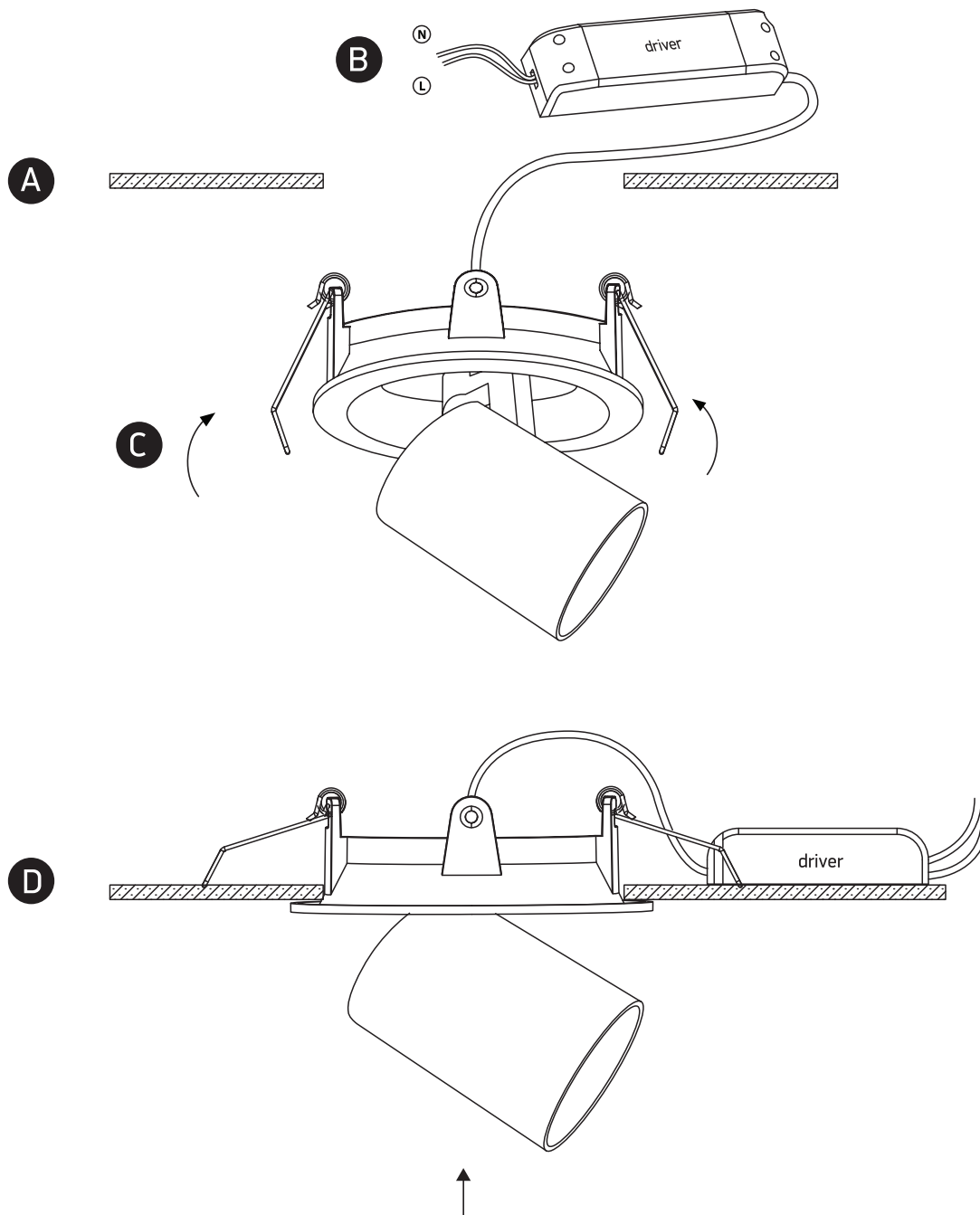
230V | 15W | IP20 | Die cast | Adjustable

Complete with driver.

80 CRI



one
LIGHT



Warnings:

1. Make sure that the product is installed properly before connecting to electricity.
2. Do not cover the fitting.
3. Maintenance and installation should only be carried out by a professional electrician.