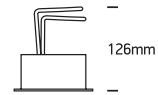
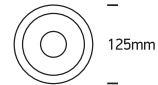
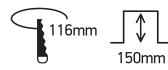


# INSTALLATION MANUAL

11126F

**ecolight**

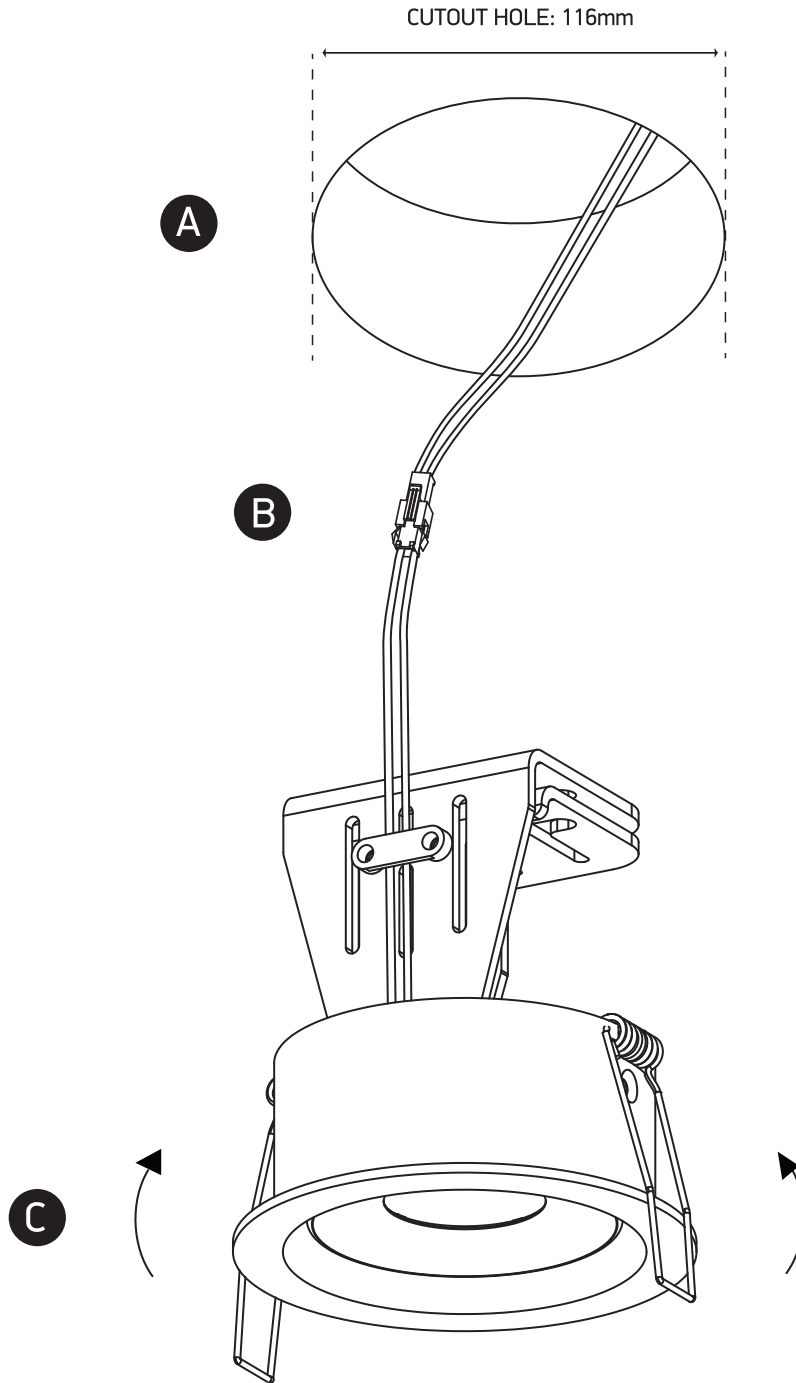


700mA | 26W | IP20 | Die cast | Adjustable  
Requires 700mA driver.

92  
CRI



**one**  
LIGHT



## Warnings:

1. Make sure that the product is installed properly before connecting to electricity.
2. Do not cover the fitting.
3. Maintenance and installation should only be carried out by a professional electrician.