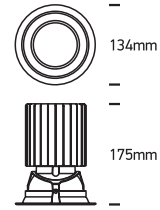


INSTALLATION MANUAL

11150B

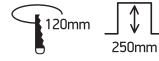
ecodownlight



230V | 50W | IP20 | Die cast | Adjustable

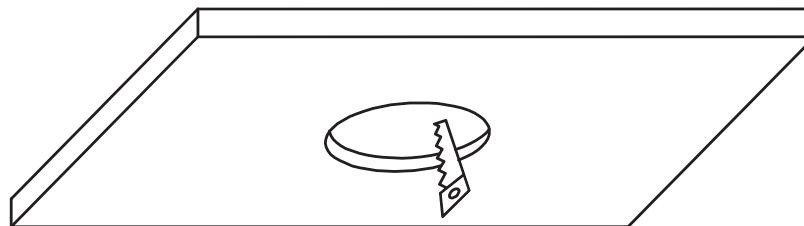
Complete with driver.

80
CRI



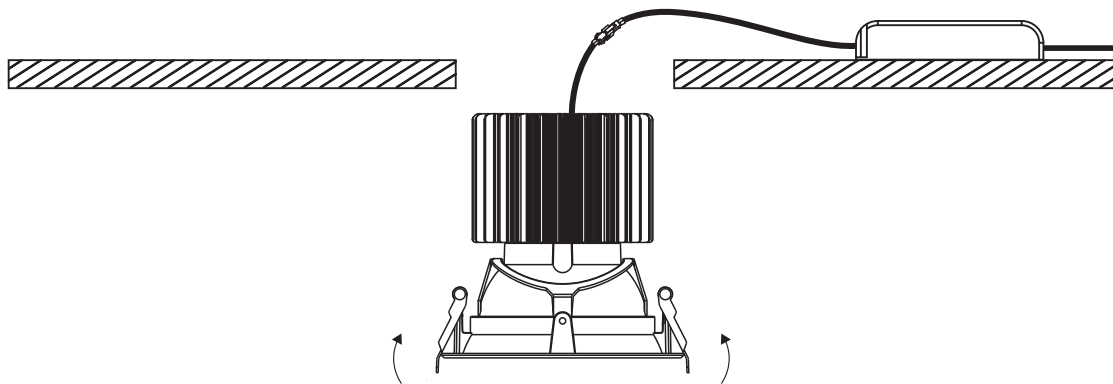
one
LIGHT

A

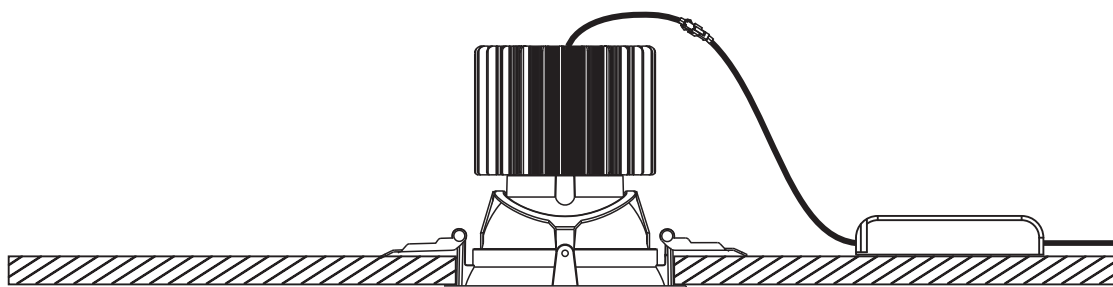


CUTOUT HOLE: 120mm

B



C



Warnings:

1. Make sure that the product is installed properly before connecting to electricity.
2. Do not cover the fitting.
3. Maintenance and installation should only be carried out by a professional electrician.