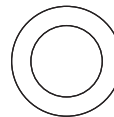


# INSTALLATION MANUAL

10107B

**ecodownlight**



80mm

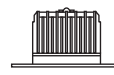
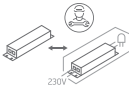


65mm

230V | SMD 2835 | 7W | IP54 | Die cast

Complete with 180mA driver.

80  
CRI

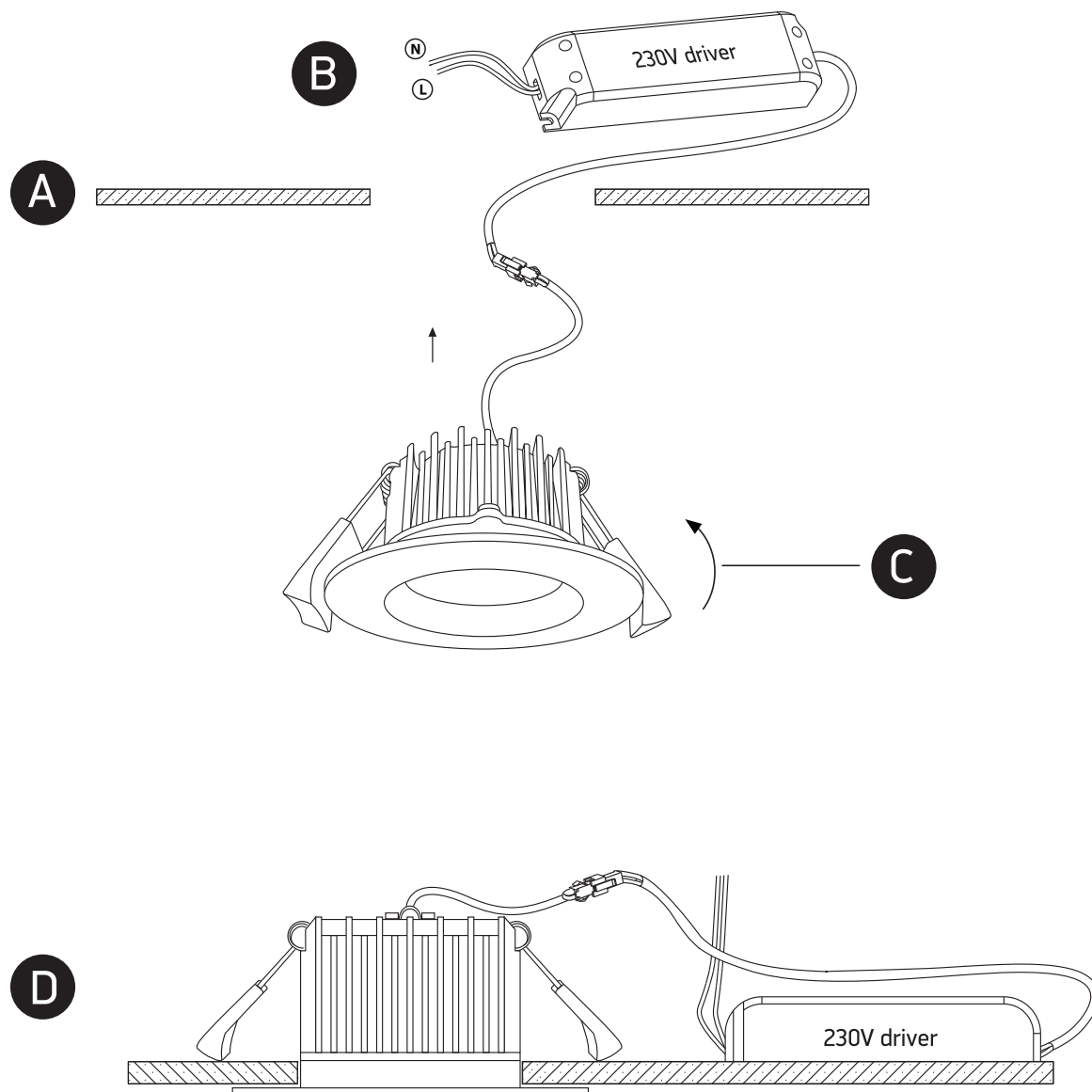


45mm



70mm

**one**  
LIGHT



## Warnings:

1. Make sure that the product is installed properly before connecting to electricity.
2. Do not cover the fitting.
3. Maintenance and installation should only be carried out by a professional electrician.