

INSTALLATION MANUAL

12104M

ecolight



DARK LIGHT



| 75mm |



110mm

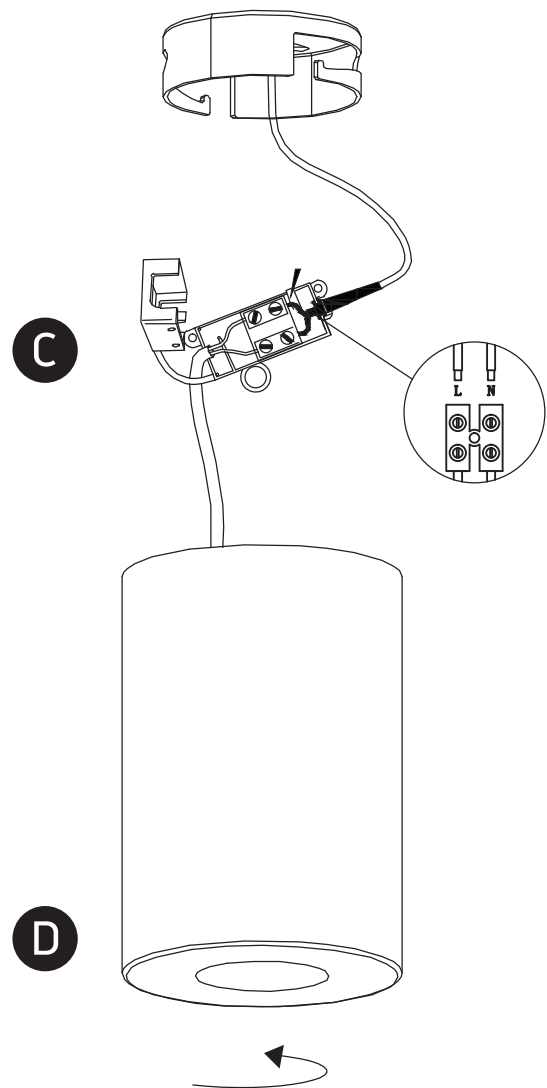
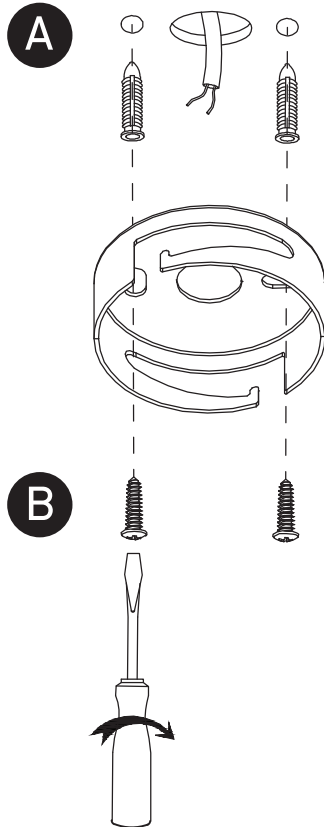
230V | 4,5W | IP20 | Cement + black reflector

Complete with driver.

90 CRI



one
LIGHT



Warnings:

1. Make sure that the product is installed properly before connecting to electricity.
2. Do not cover the fitting.
3. Maintenance and installation should only be carried out by a professional electrician.