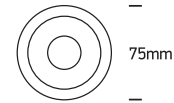


# INSTALLATION MANUAL

## 10107Z

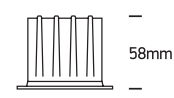
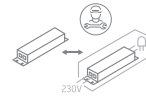
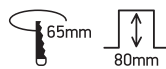
**ecolight**



75mm

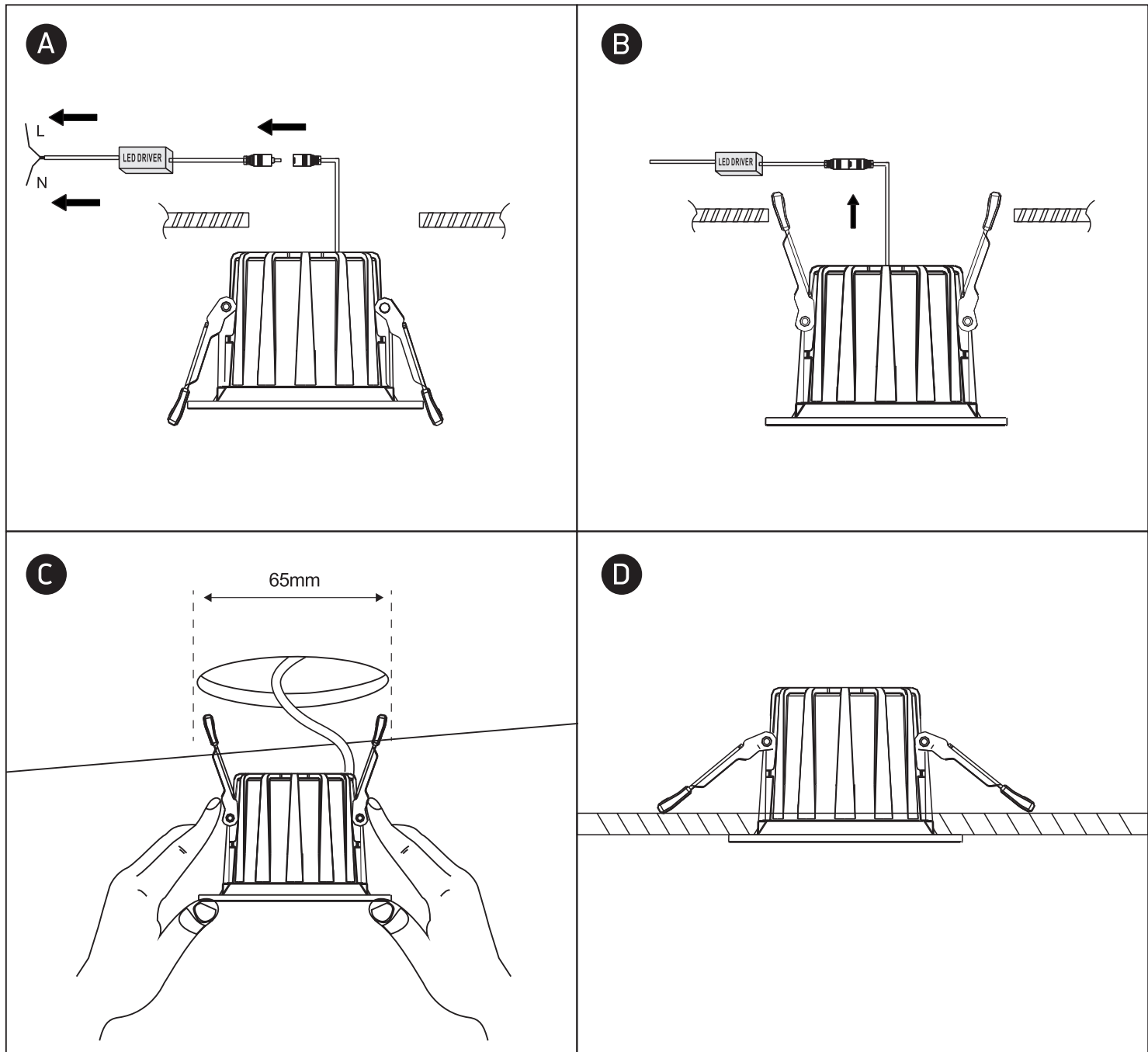
230V | 7W | IP20 | Die cast + plastic reflector  
Complete with 160mA driver.

80  
CRI



58mm

**one**  
LIGHT



### Warnings:

1. Make sure that the product is installed properly before connecting to electricity.
2. Do not cover the fitting.
3. Maintenance and installation should only be carried out by a professional electrician.