

INSTALLATION MANUAL

10110P

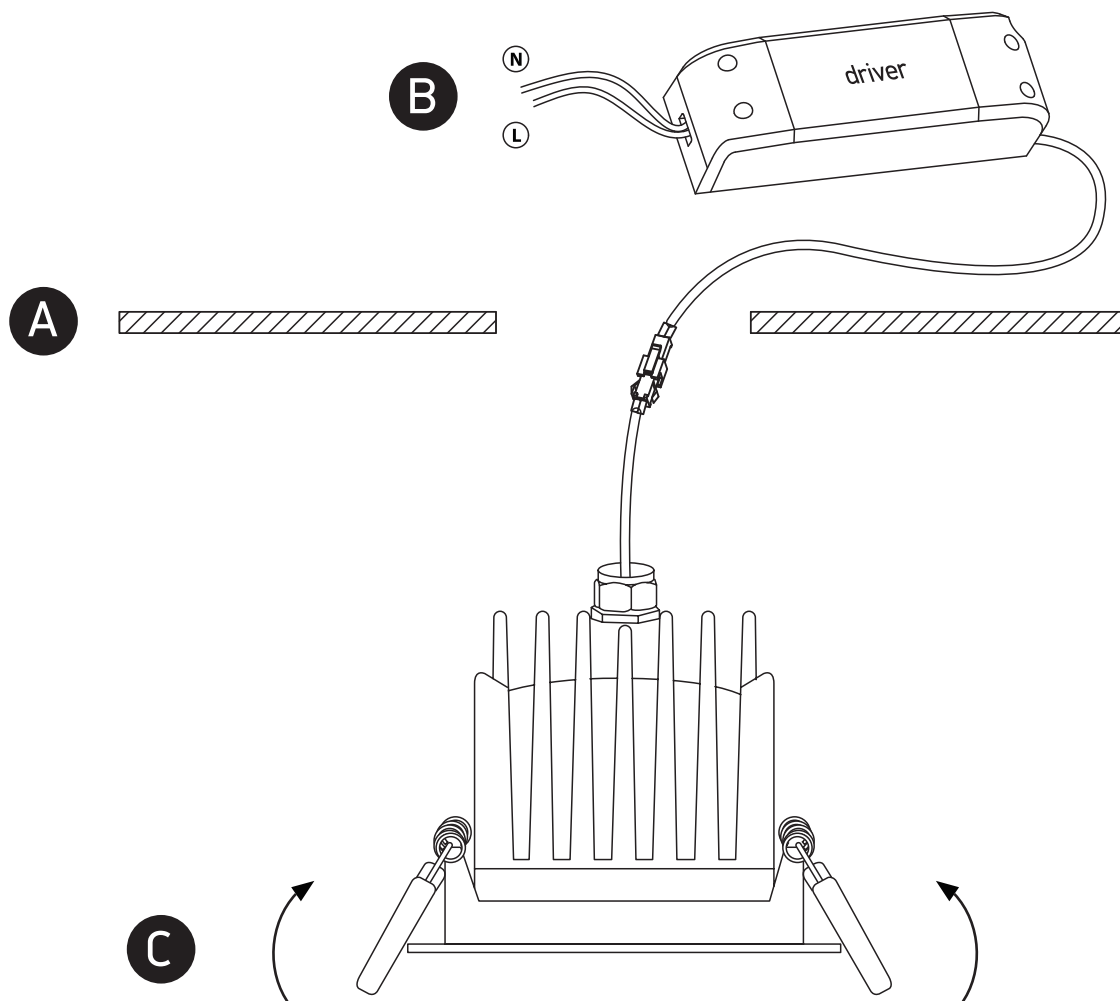
ecolight


85mm

700mA | COB LED | 12W | IP65 | Die cast
Requires 700mA driver.

**90
CRI**


80mm

one
LIGHT


Warnings:

1. Make sure that the product is installed properly before connecting to electricity.
2. Do not cover the fitting.
3. Maintenance and installation should only be carried out by a professional electrician.