

INSTALLATION MANUAL

12108C

ecolight

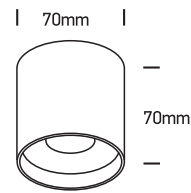


CE

RoHS
COMPLIANT

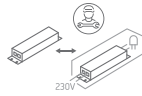


NOT
DIMMABLE



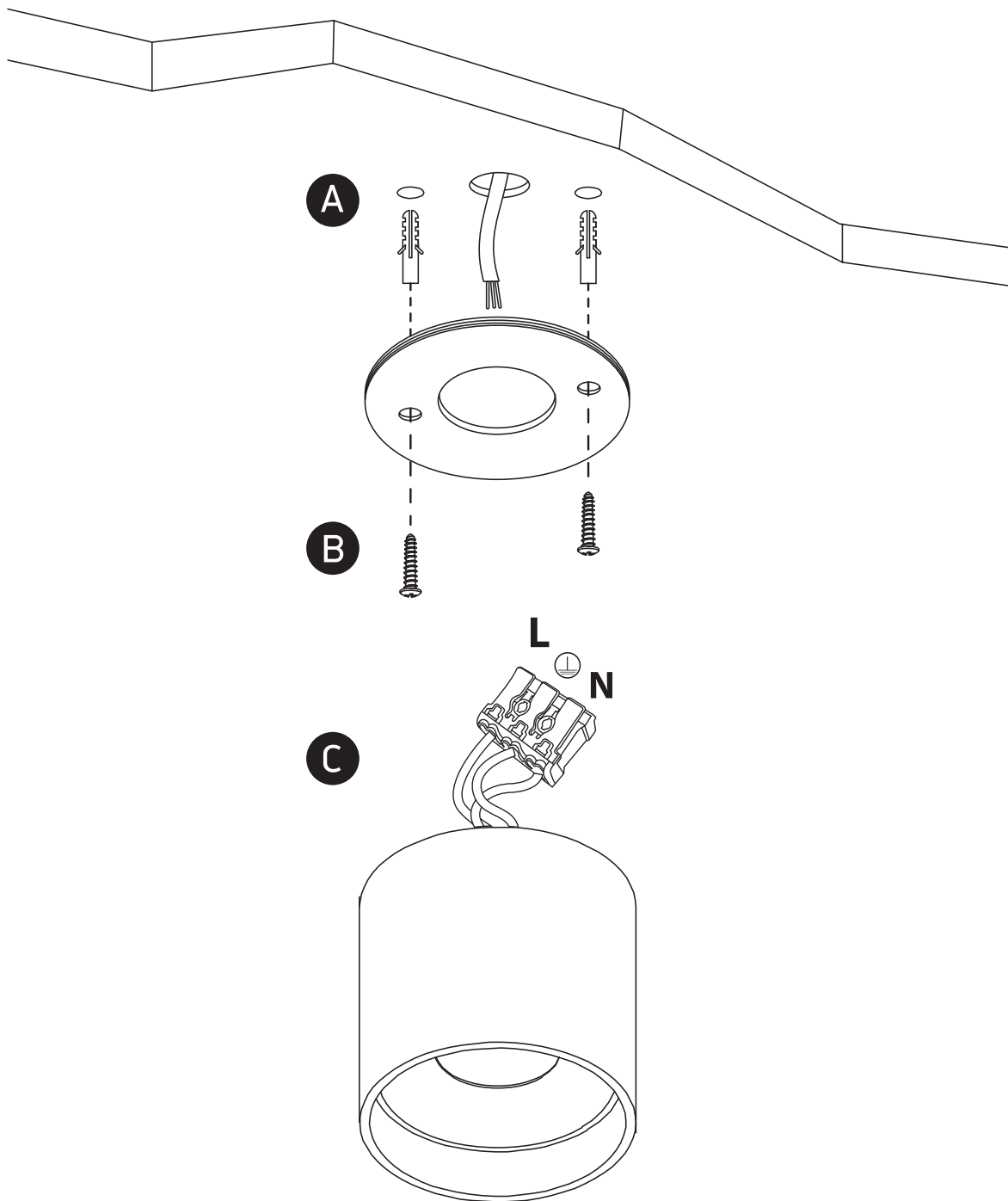
230V | COB LED | 8W | IP20 | Die cast

Complete with 700mA driver.



90
CRI

one
LIGHT



Warnings:

1. Make sure that the product is installed properly before connecting to electricity.
2. Do not cover the fitting.
3. Maintenance and installation should only be carried out by a professional electrician.