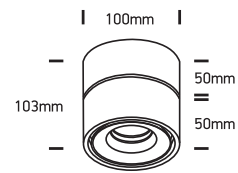


# INSTALLATION MANUAL

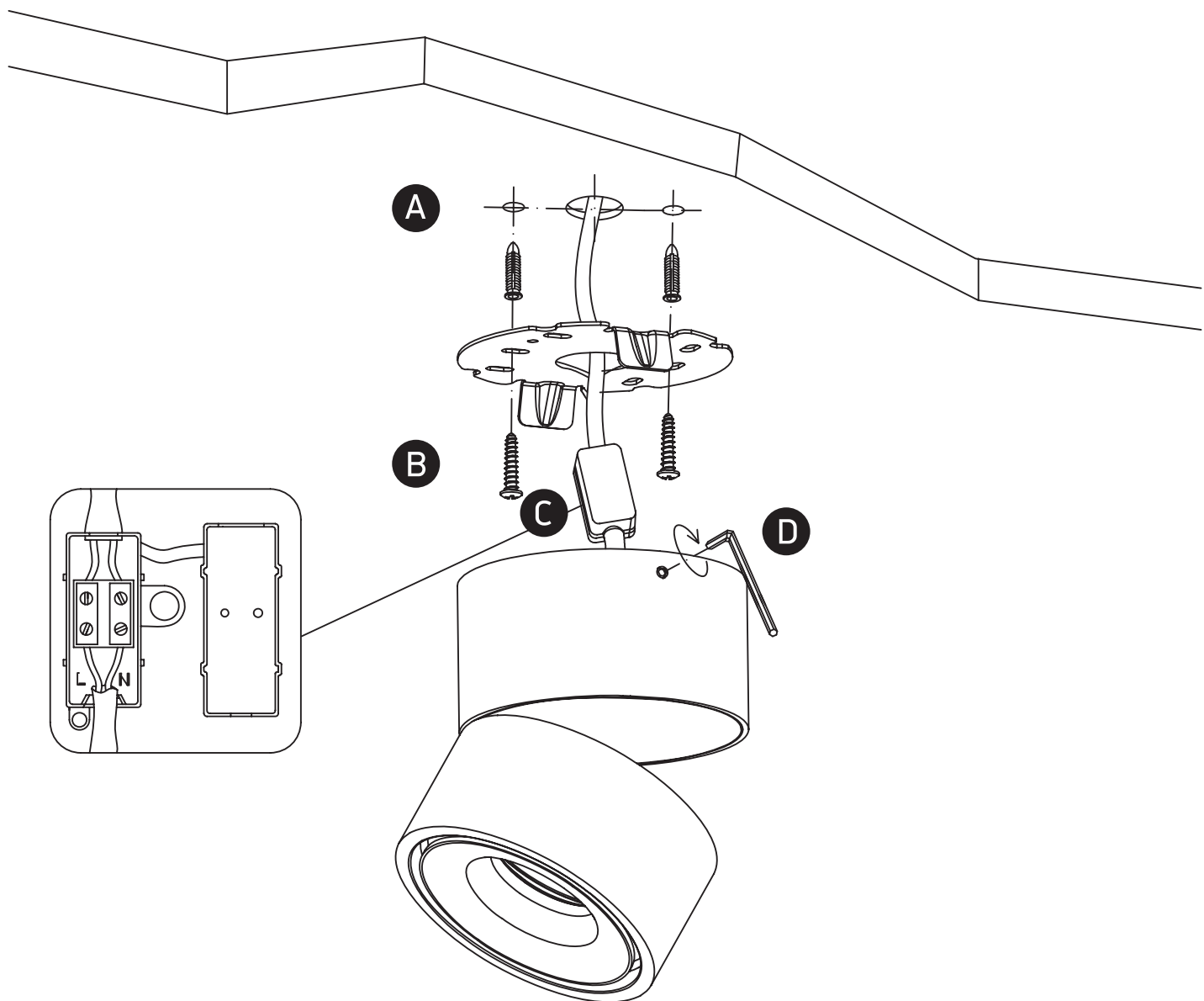
## 12109LA

**ecolight**

**80  
CRI**
**CE**
**RoHS**


230V | COB LED | 9W | IP20 | Die cast | Adjustable

Complete with driver.



### Warnings:

1. Make sure that the product is installed properly before connecting to electricity.
2. Do not cover the fitting.
3. Maintenance and installation should only be carried out by a professional electrician.