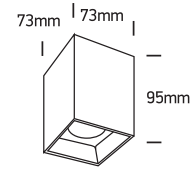


INSTALLATION MANUAL

12112ZA

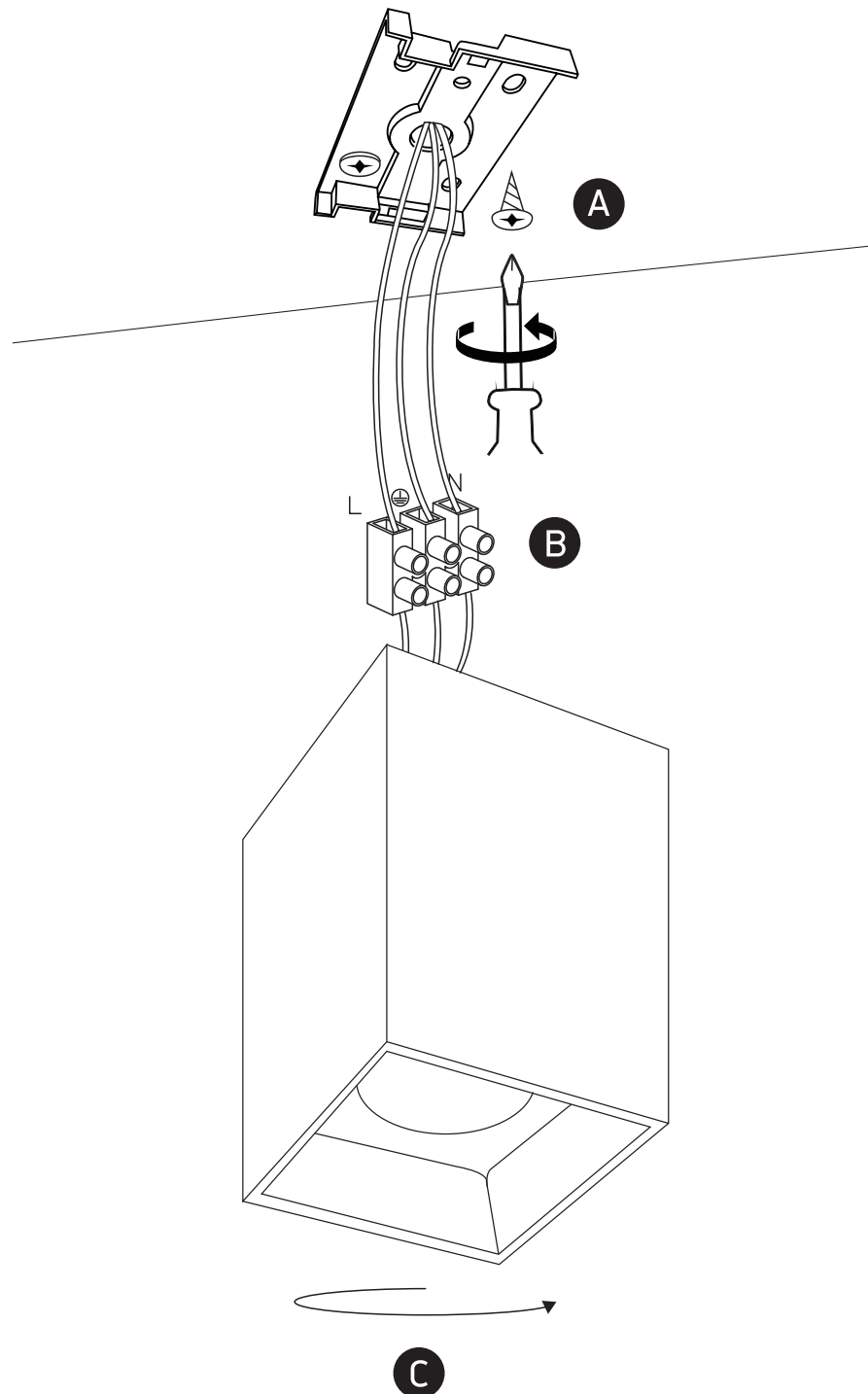
ecolight

 DARK
LIGHT


230V | 12W | IP20 | Die cast + plastic reflector

Complete with driver.

 80
CRI

one
LIGHT


Warnings:

1. Make sure that the product is installed properly before connecting to electricity.
2. Do not cover the fitting.
3. Maintenance and installation should only be carried out by a professional electrician.