

INSTALLATION MANUAL

12115D, 12124D

ecolight

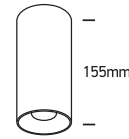


CE

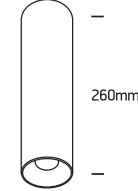
RoHS
COMPLIANT



172mm l



172mm l

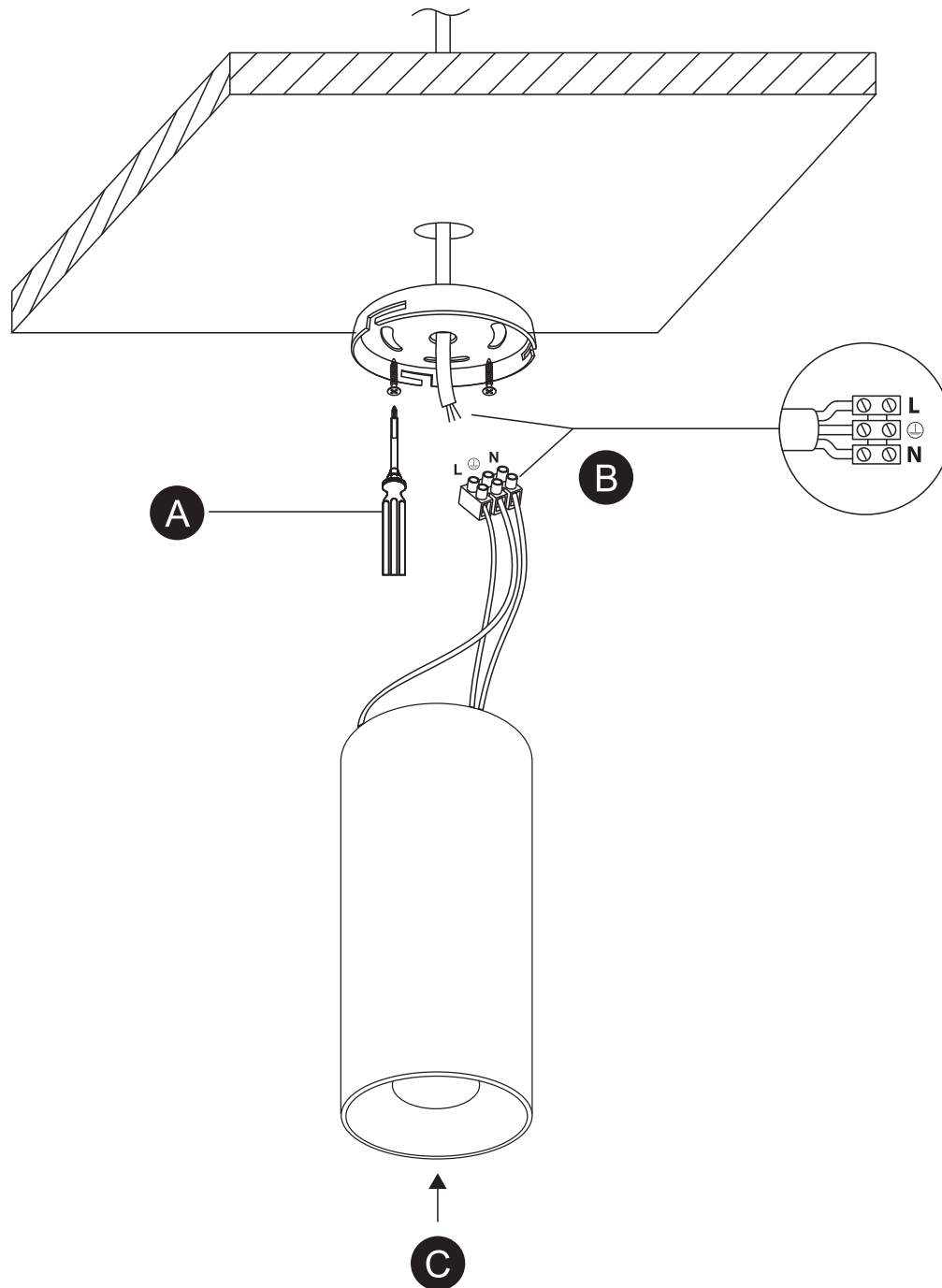


230V | 15W / 24W | IP20 | Aluminium + plastic reflector
Complete with driver.

80
CRI



one
LIGHT



Warnings:

1. Make sure that the product is installed properly before connecting to electricity.
2. Do not cover the fitting.
3. Maintenance and installation should only be carried out by a professional electrician.