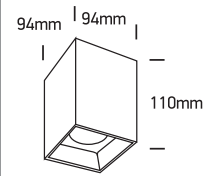


# INSTALLATION MANUAL

## 12120ZA

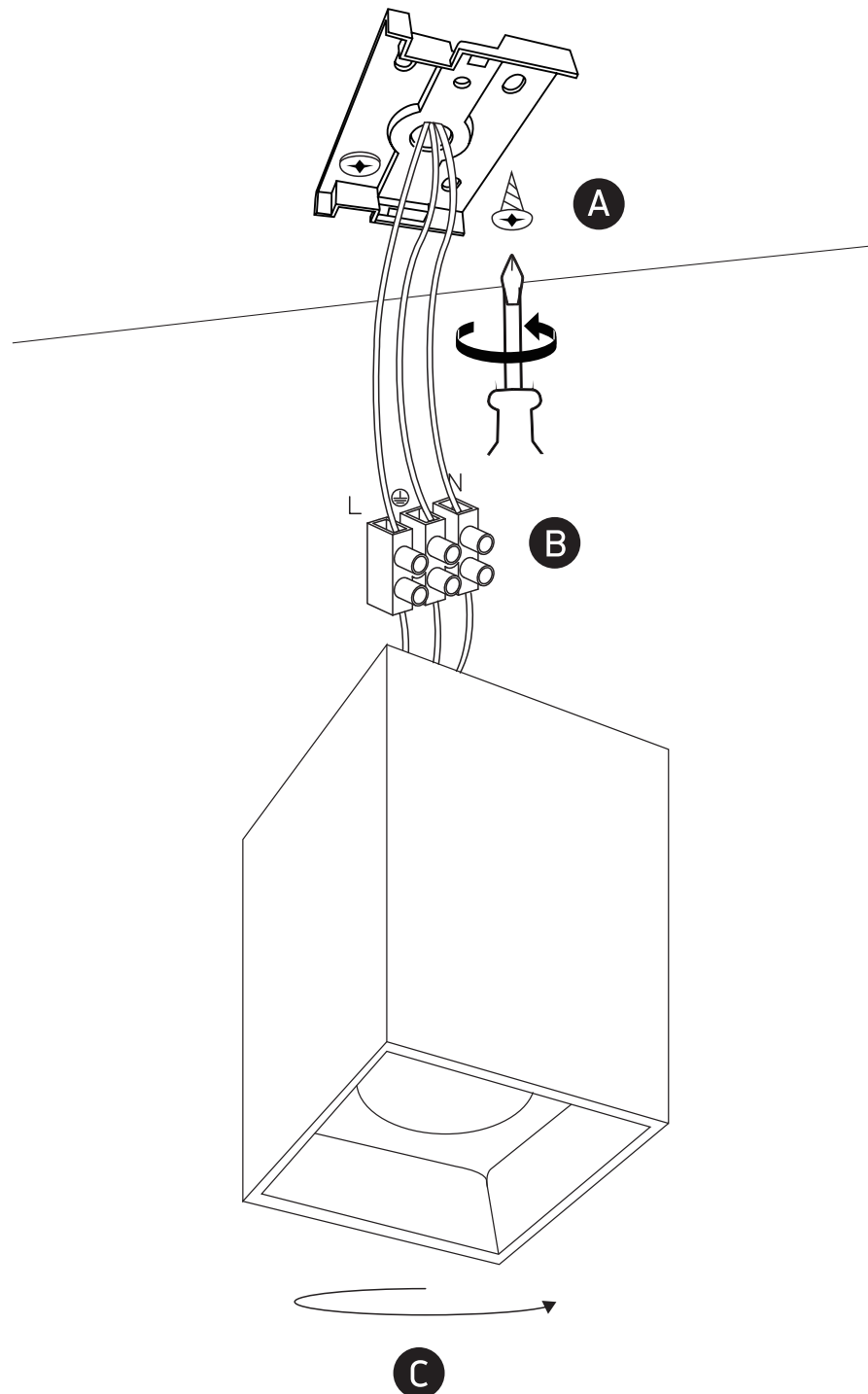
**ecolight**

 DARK  
LIGHT


230V | 20W | IP20 | Die cast + plastic reflector

Complete with driver.

 80  
CRI

**one**  
LIGHT


### Warnings:

1. Make sure that the product is installed properly before connecting to electricity.
2. Do not cover the fitting.
3. Maintenance and installation should only be carried out by a professional electrician.