

INSTALLATION MANUAL

10113M

ecolight

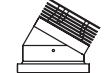


82mm

350mA | 13W | IP20 | Shelf illumination | Die cast

Requires 350mA driver.

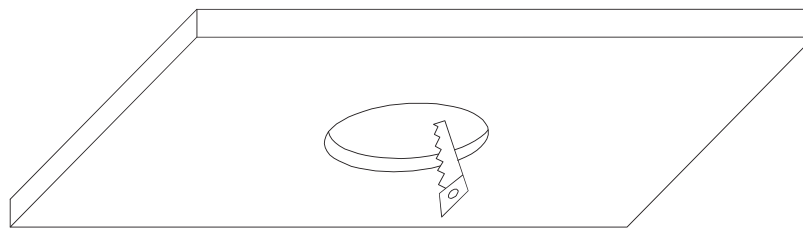
80
CRI



82mm

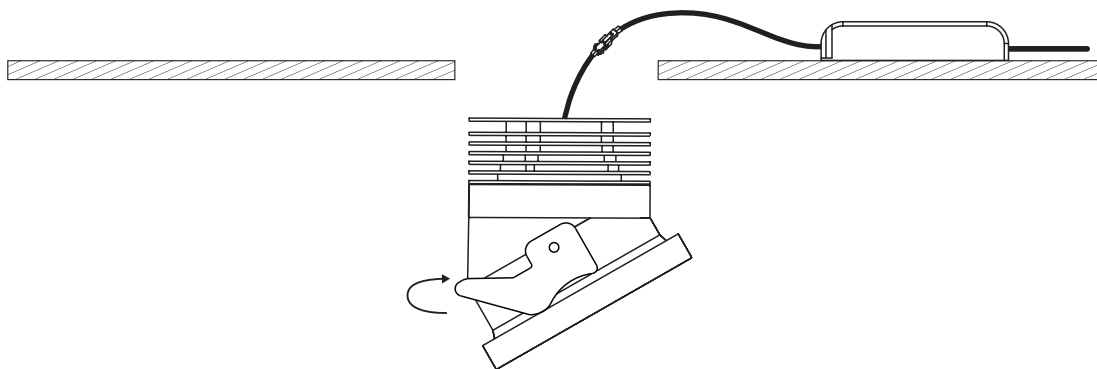


A

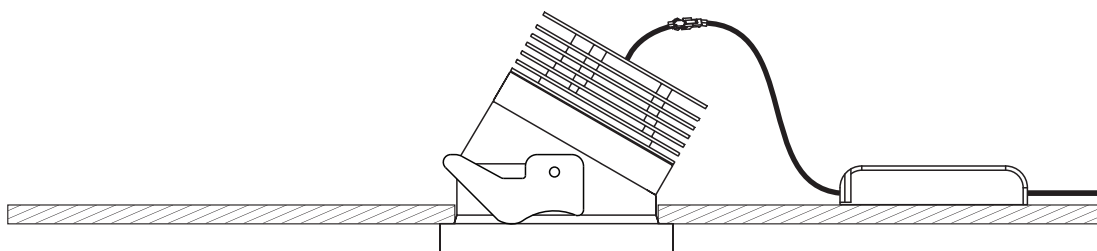


CUTOUT HOLE: 74mm

B



C



Warnings:

1. Make sure that the product is installed properly before connecting to electricity.
2. Do not cover the fitting.
3. Maintenance and installation should only be carried out by a professional electrician.