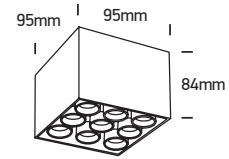


# INSTALLATION MANUAL

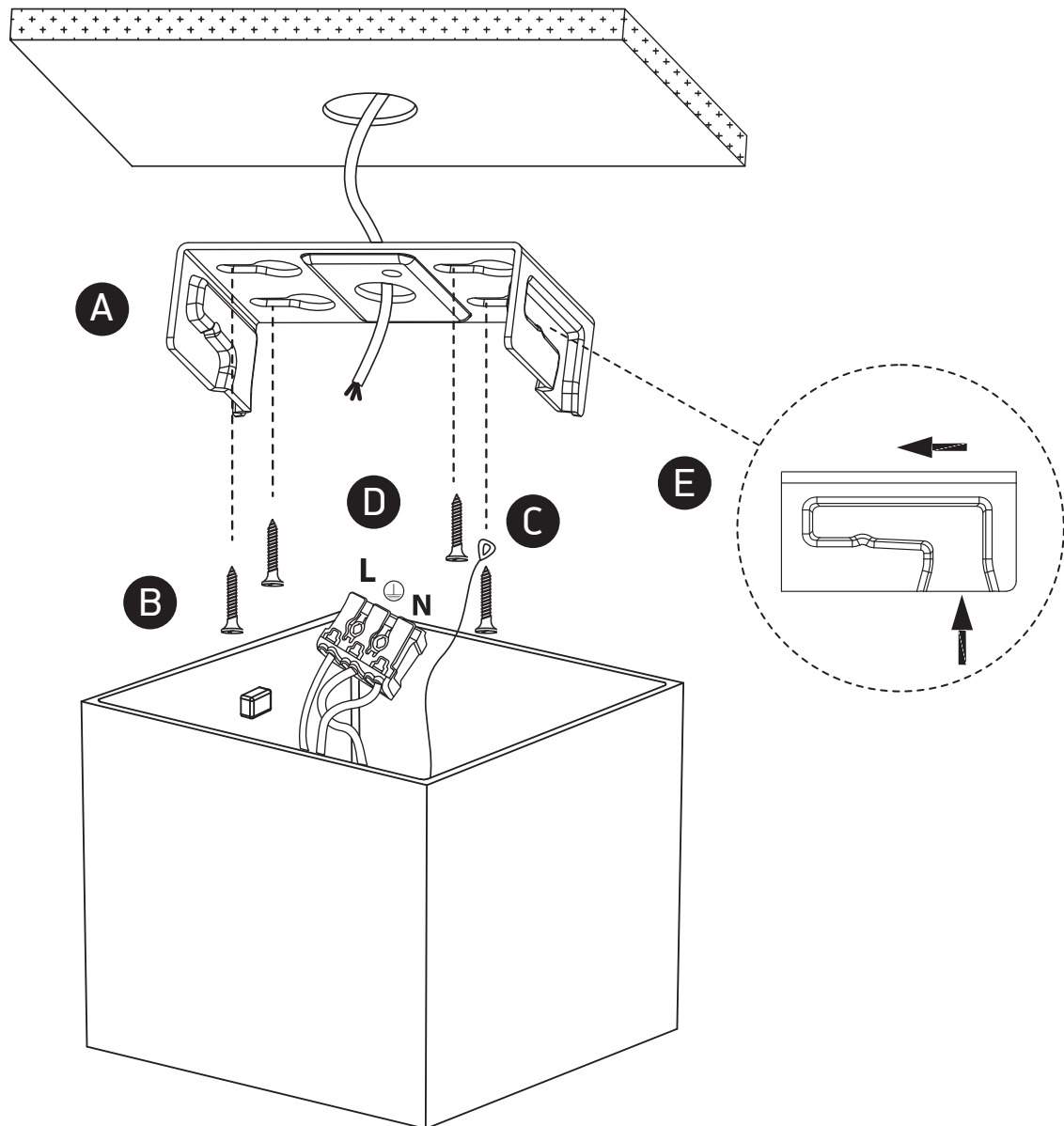
## 12906C

**ecolight**

**DARK  
LIGHT**


230V | SMD 3535 | 20W | IP20 | Aluminium

Complete with 700mA driver.

**85  
CRI**
**one**  
LIGHT


### Warnings:

1. Make sure that the product is installed properly before connecting to electricity.
2. Do not cover the fitting.
3. Maintenance and installation should only be carried out by a professional electrician.