

INSTALLATION MANUAL

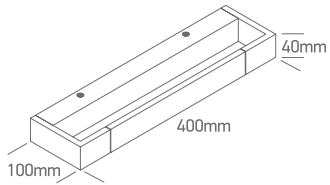
38112C

LED
BUILT IN



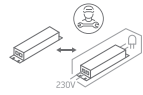
80
CRI

CE EAC UK CA



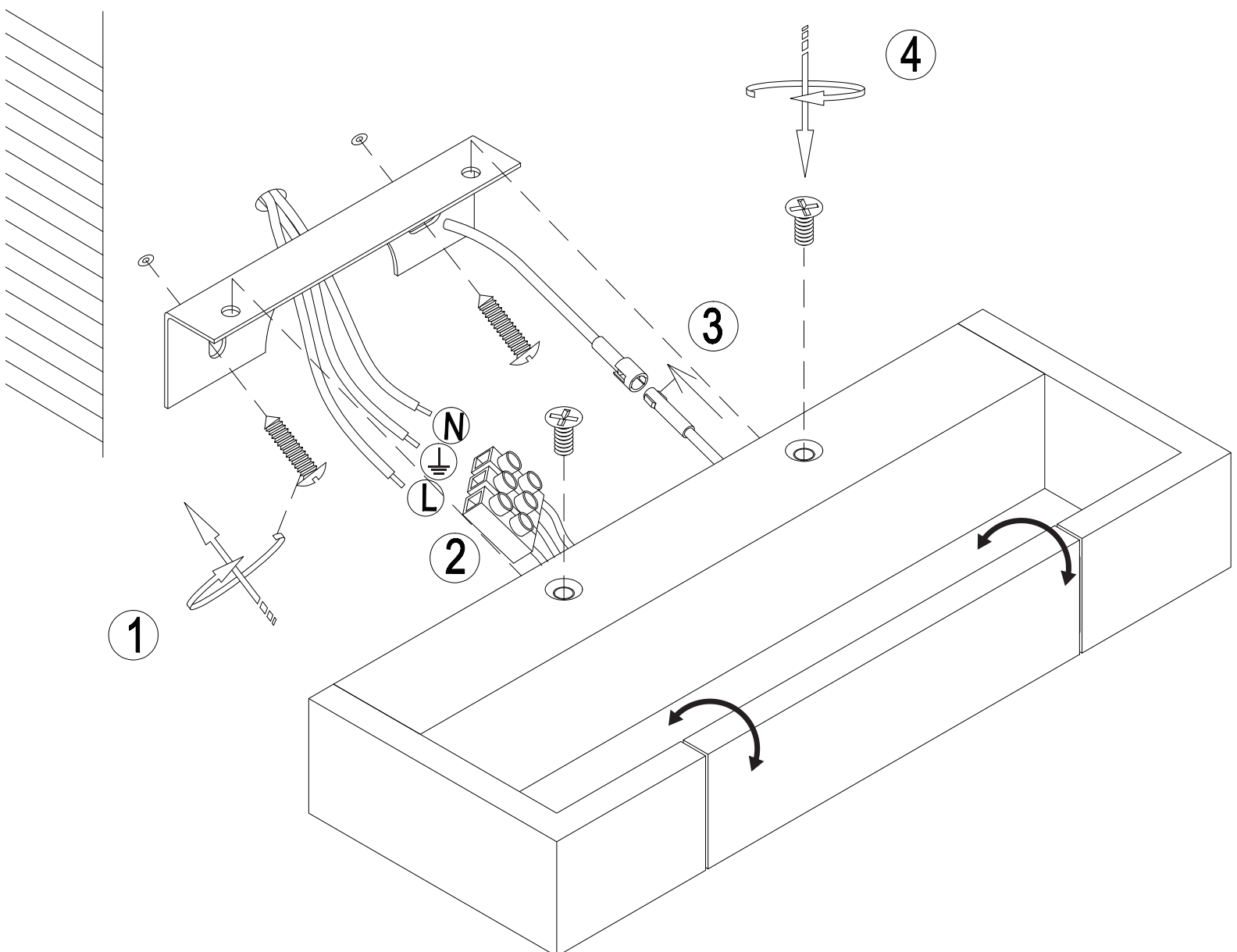
one
LIGHT

230V | 12W | SMD 2835 | IP44 | Aluminium + acrylic



L70B50
36000 Hrs

Complete with driver 600mA.



Warnings:

1. Make sure that the product is installed properly before connecting to electricity.
2. Do not cover the fitting.
3. Maintenance and installation should only be carried out by a professional electrician.