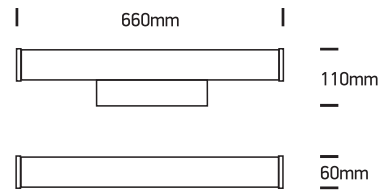


INSTALLATION MANUAL

38114CE

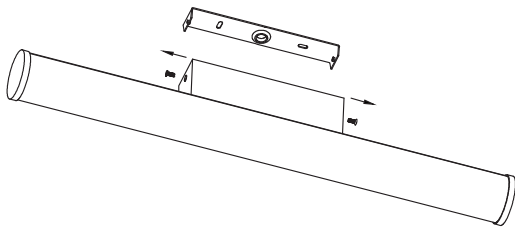


100-240V | T8 | IP44 | Die cast + acrylic

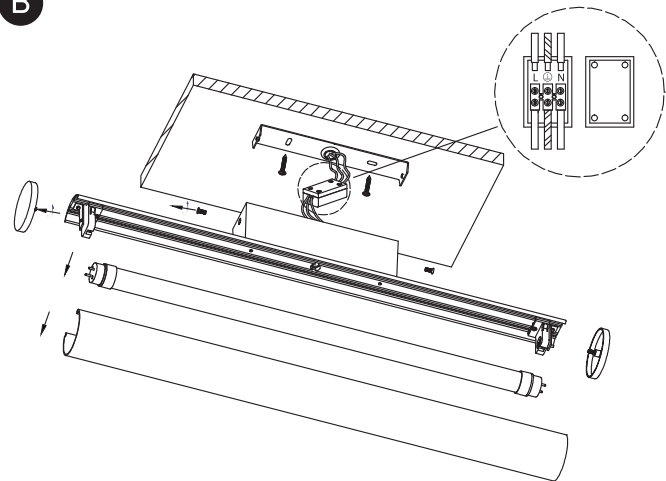


one
LIGHT

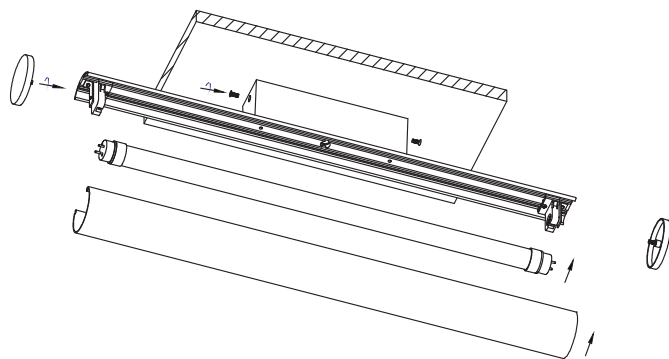
A



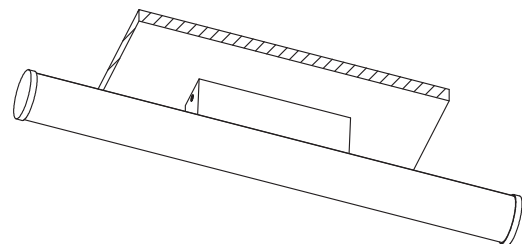
B



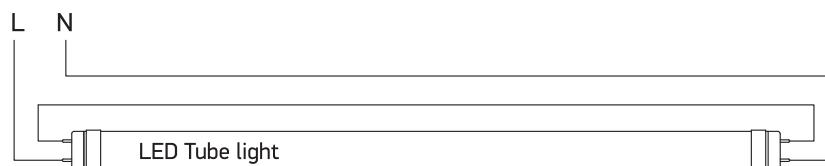
C



D



Wiring diagram.



Warnings:

1. Make sure that the product is installed properly before connecting to electricity.
2. Do not cover the fitting.
3. Maintenance and installation should only be carried out by a professional electrician.