

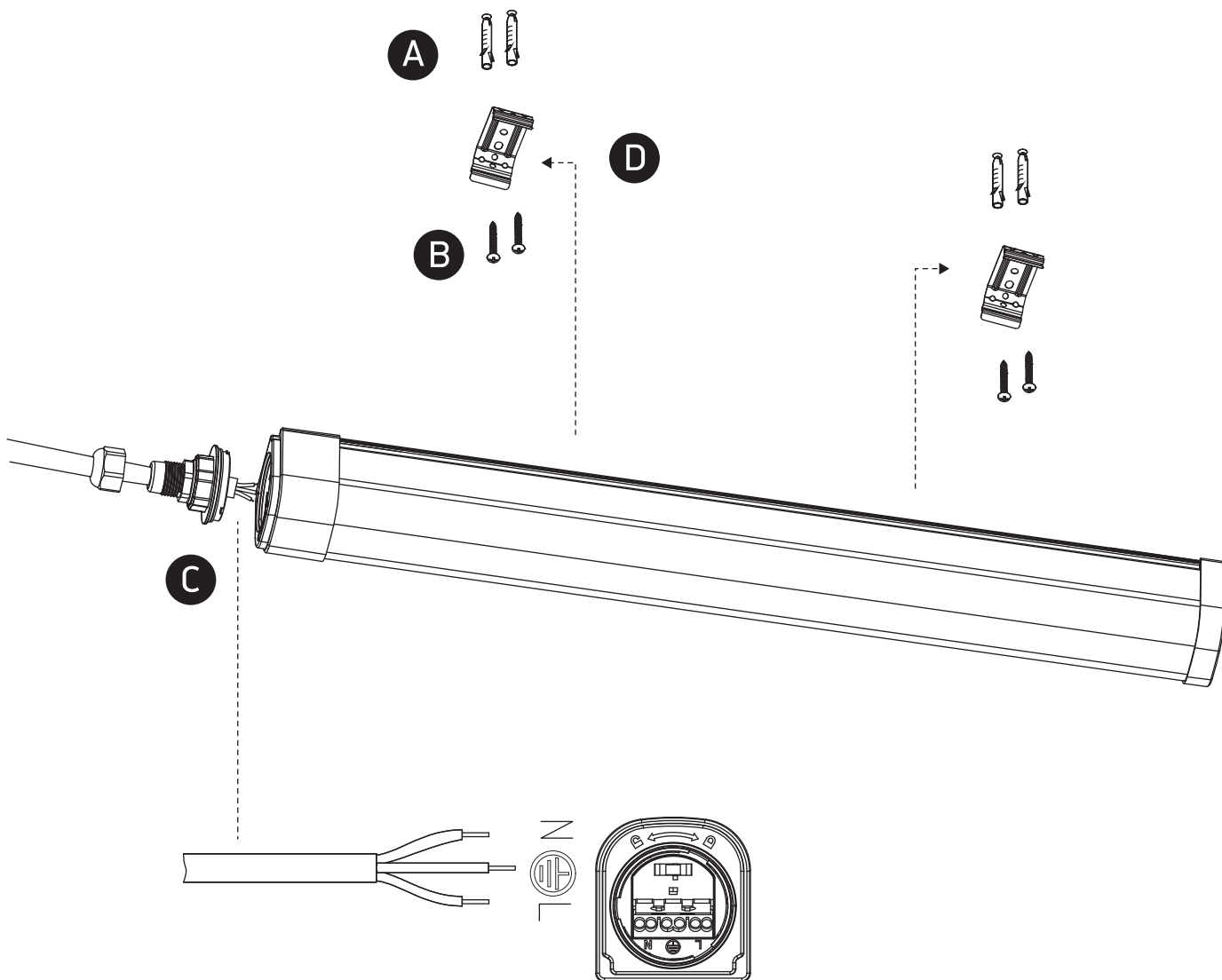
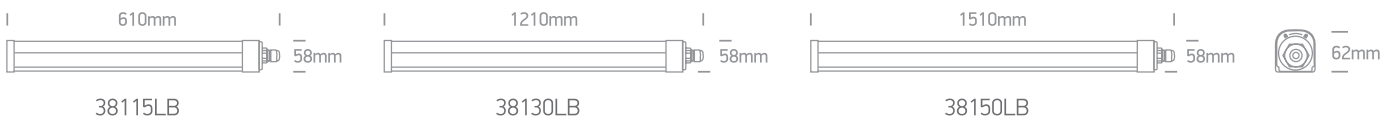
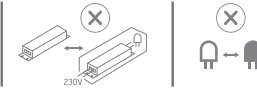
INSTALLATION MANUAL

38115LB, 38130LB, 38150LB



230V | SMD 2835 | 15W / 30W / 50W | 50/60Hz | IP66 | PC

Complete with driver.



Warnings:

1. Make sure that the product is installed properly before connecting to electricity.
2. Do not cover the fitting.
3. Maintenance and installation should only be carried out by a professional electrician.