

# INSTALLATION MANUAL

## 11103K

**ecolight**



DARK LIGHT

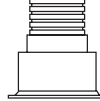
90 CRI



350mA | 3W | IP20 | Aluminium  
Requires 350mA driver.



52mm



52mm

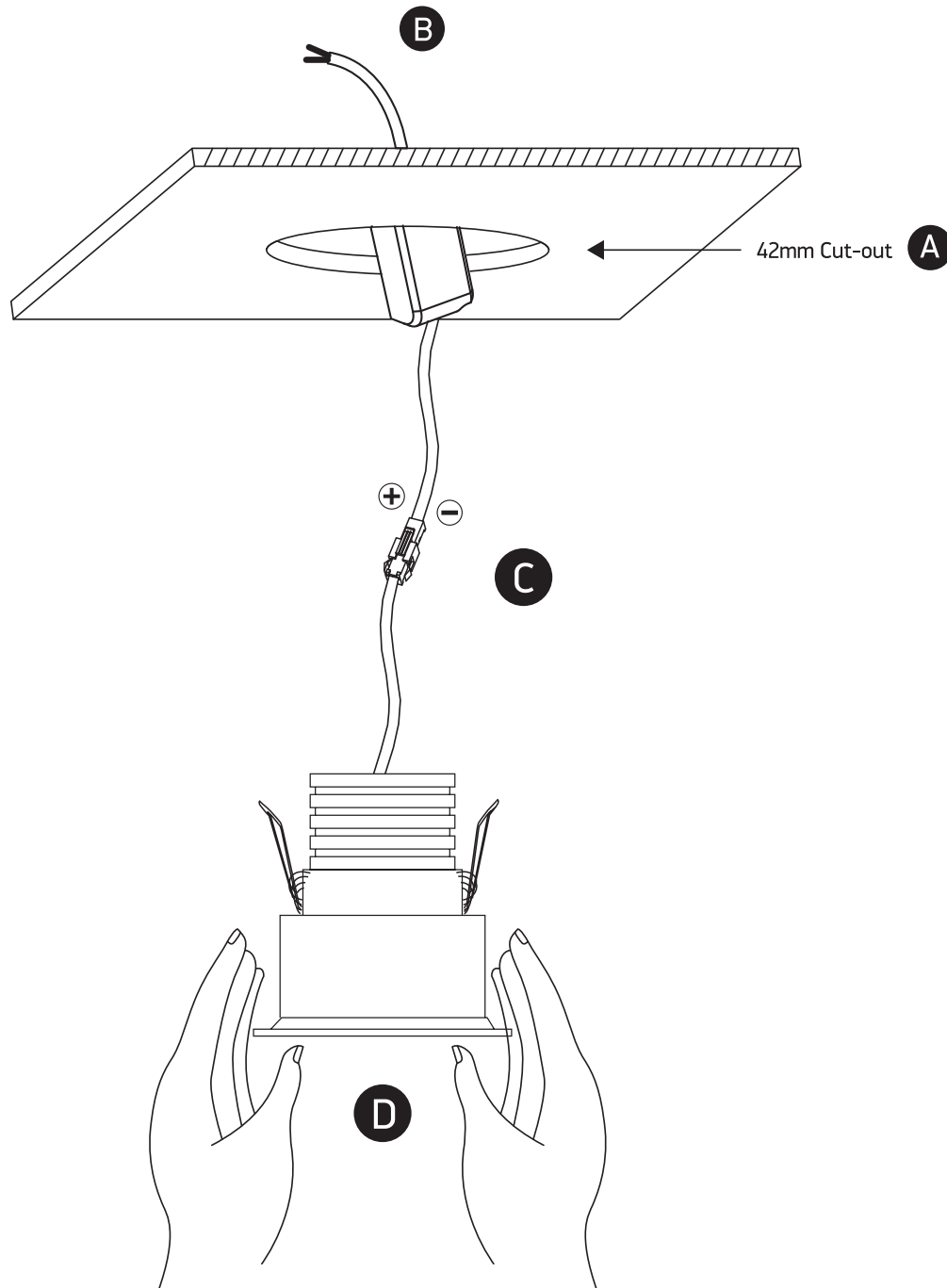


42mm

60mm



**one**  
LIGHT



### Warnings:

1. Make sure that the product is installed properly before connecting to electricity.
2. Do not cover the fitting.
3. Maintenance and installation should only be carried out by a professional electrician.