

# INSTALLATION MANUAL

## 38114D, 38121D

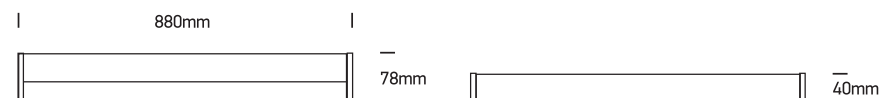


Complete with electronic ballast

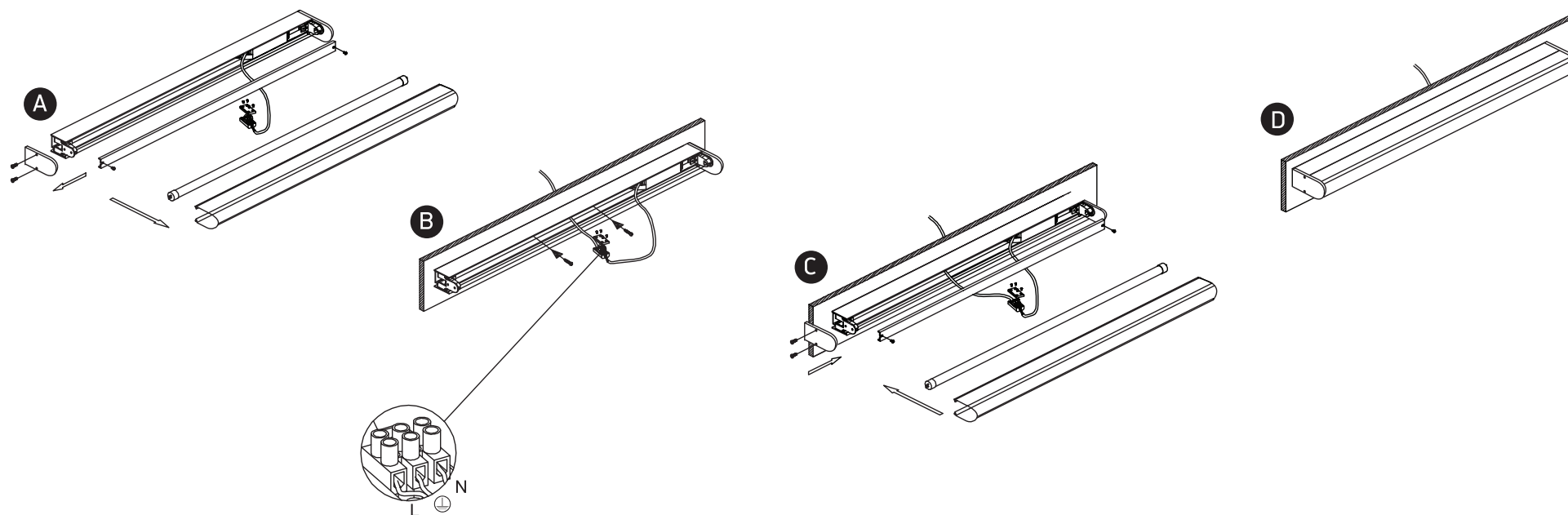
**38114D:** 230V | 14W | T5 | 50/60Hz | IP44 | Die cast + acrylic



**38121D:** 230V | 21W | T5 | 50/60Hz | IP44 | Die cast + acrylic



**one**  
LIGHT



### Warnings:

1. Make sure that the product is installed properly before connecting to electricity.
2. Do not cover the fitting.
3. Maintenance and installation should only be carried out by a professional electrician.