

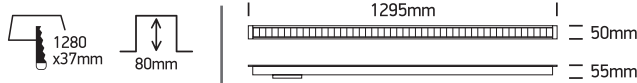
# INSTALLATION MANUAL

## 38145BR



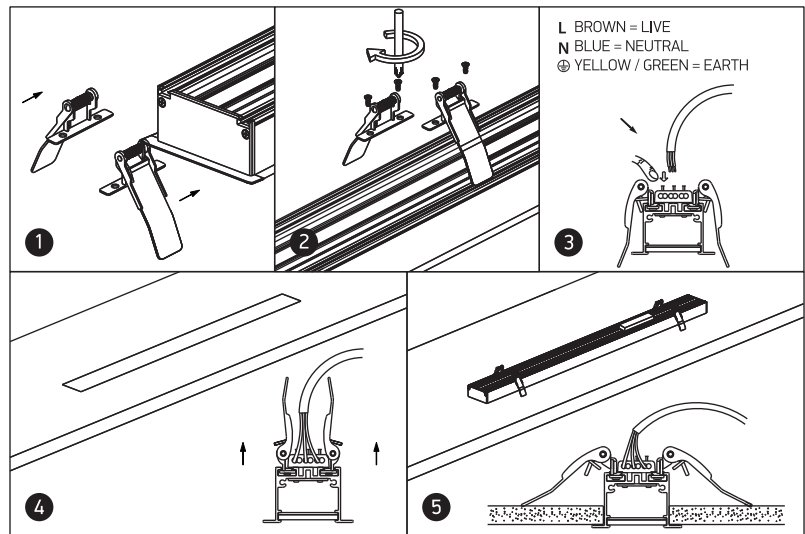
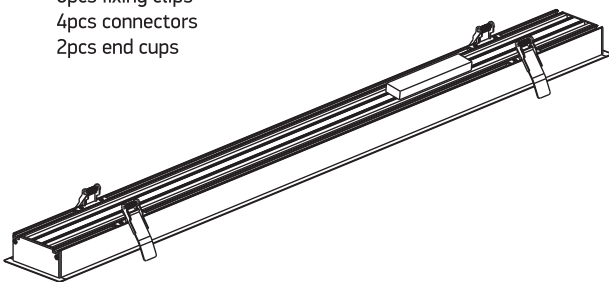
230V | SMD 3030 | 40W | IP20 | Aluminium

Complete with 1000mA driver / Can be connected in line.

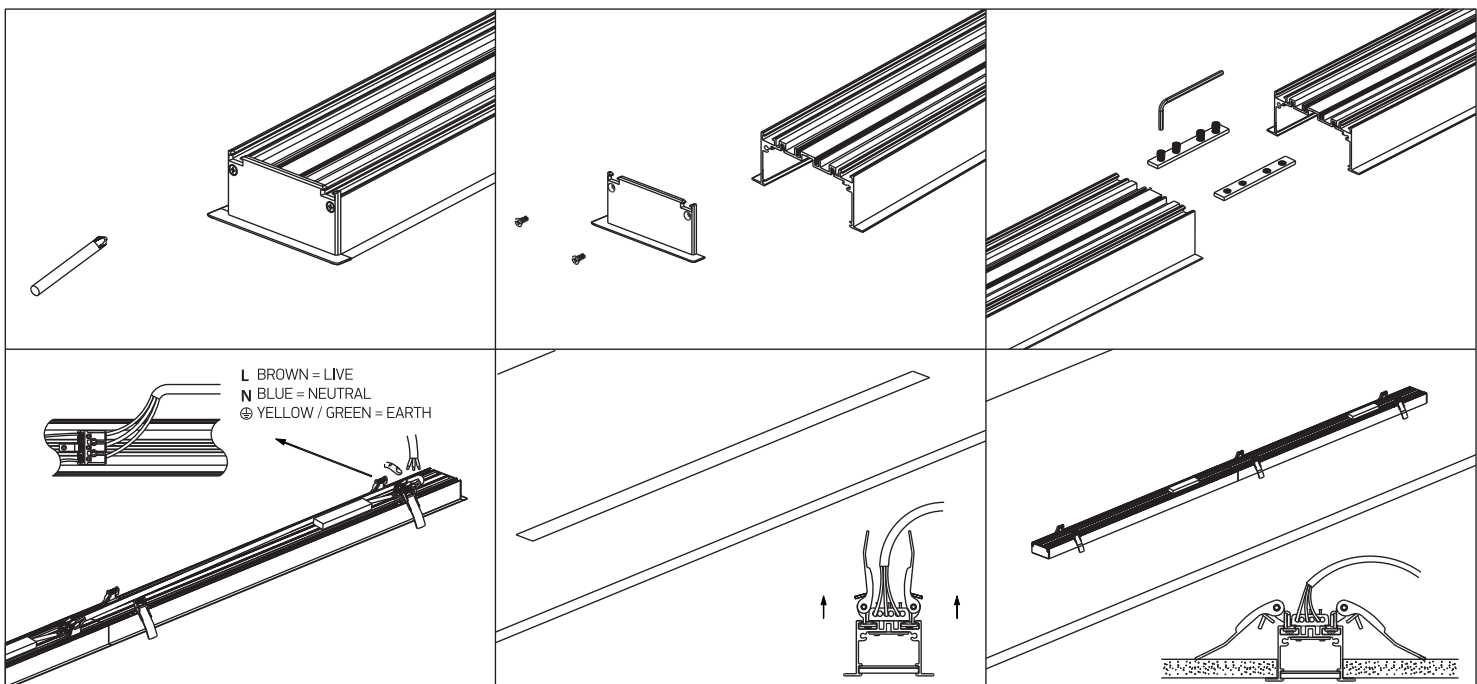


### A INSTALLATION

Complete with:  
6pcs fixing clips  
4pcs connectors  
2pcs end cups



### B CONNECTION



#### Warnings:

1. Make sure that the product is installed properly before connecting to electricity.
2. Do not cover the fitting.
3. Maintenance and installation should only be carried out by a professional electrician.