

# INSTALLATION MANUAL

## 38150B

**ecolight**

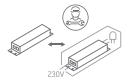


UGR17

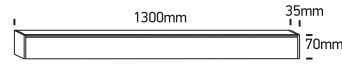
90  
CRI



40W | SMD 3030 | 48LEDs | 230V | IP20 | Aluminium  
Complete with 1000mA driver / Can be connected in line.

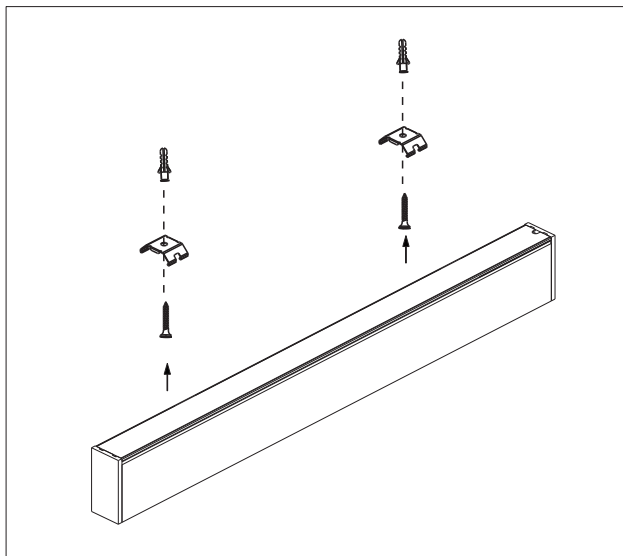


300cm

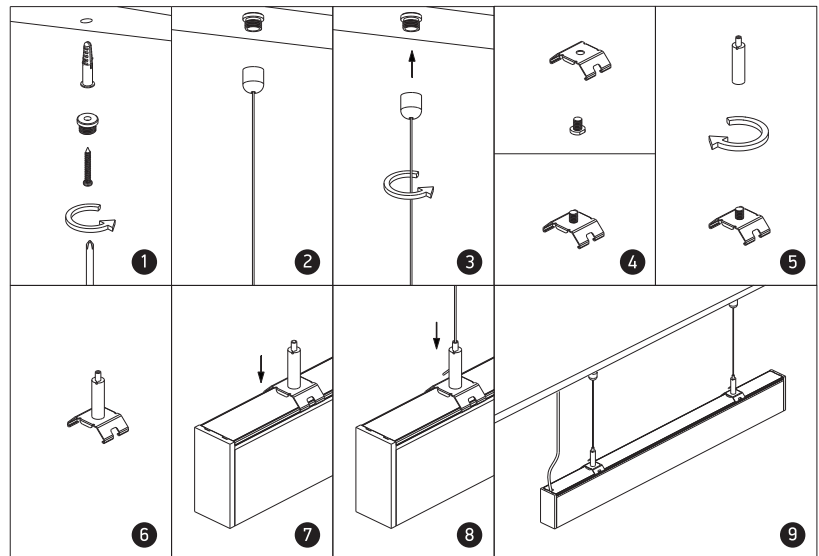


**one**  
LIGHT

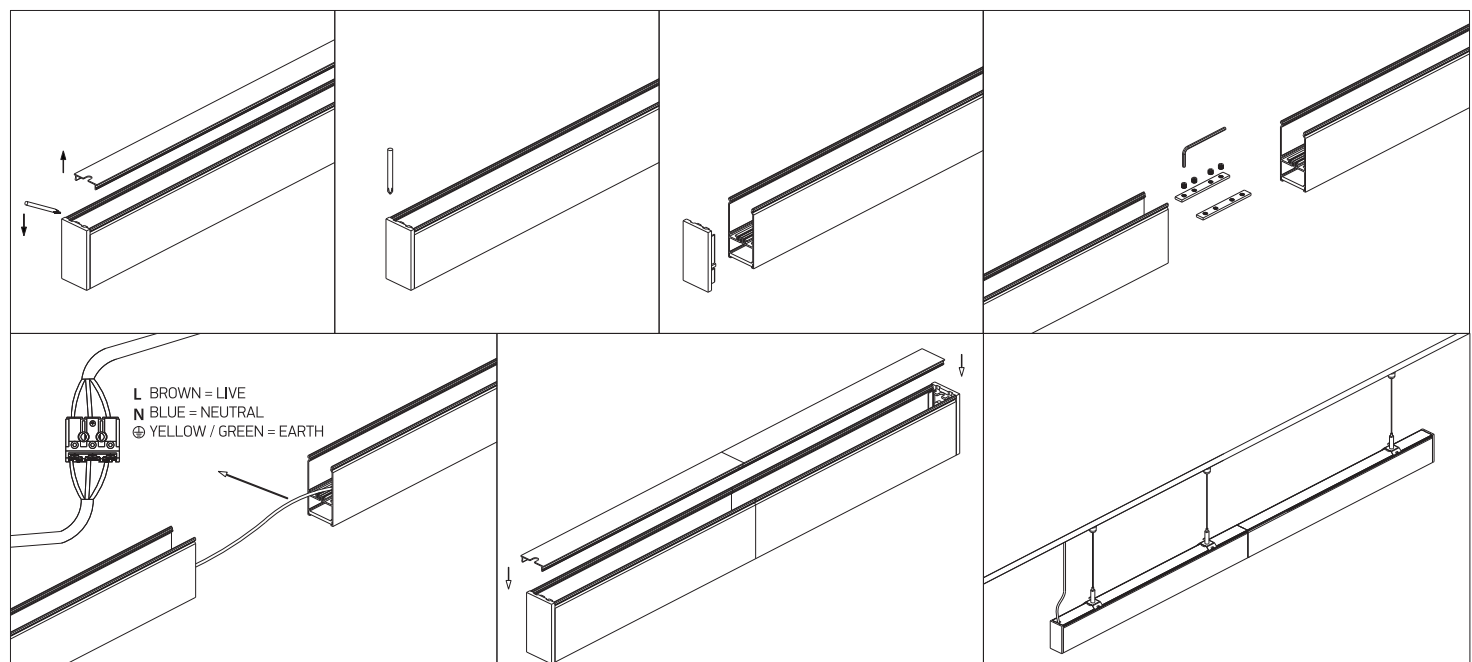
### A SURFACE INSTALLATION



### B SUSPENDED INSTALLATION



### C CONNECTION



#### Warnings:

1. Make sure that the product is installed properly before connecting to electricity.
2. Do not cover the fitting.
3. Maintenance and installation should only be carried out by a professional electrician.