

# INSTALLATION MANUAL

38150BU

**ecolight**

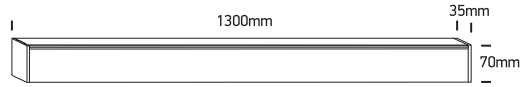


UGR17

90 CRI



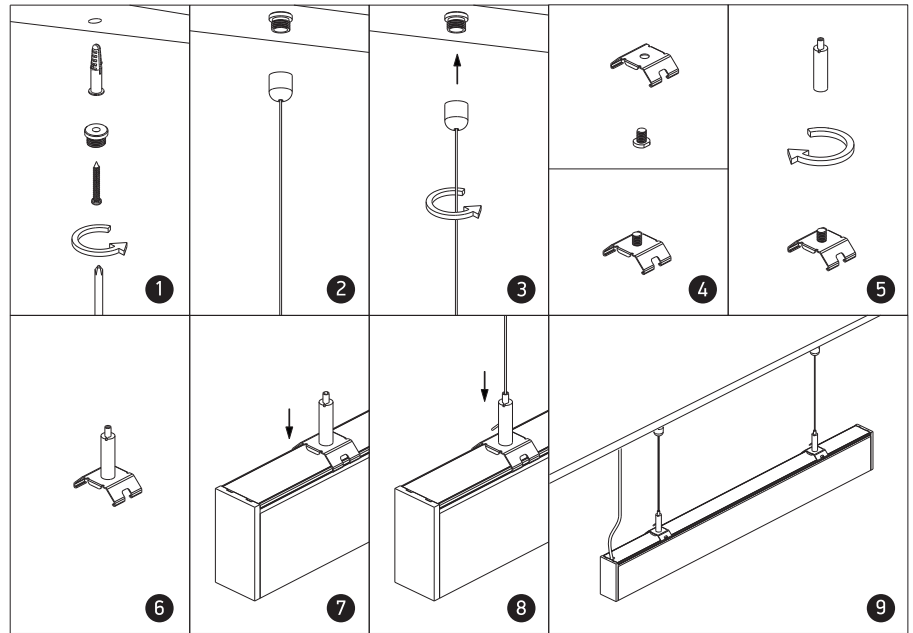
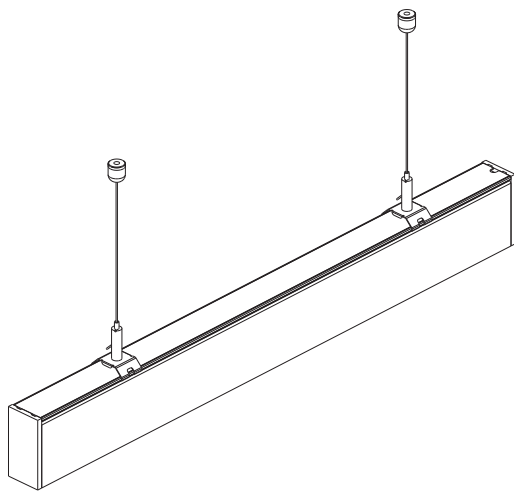
40W + 20W Uplight | LED | 230V | IP20 | Aluminium  
Complete with 1000mA + 500mA driver.



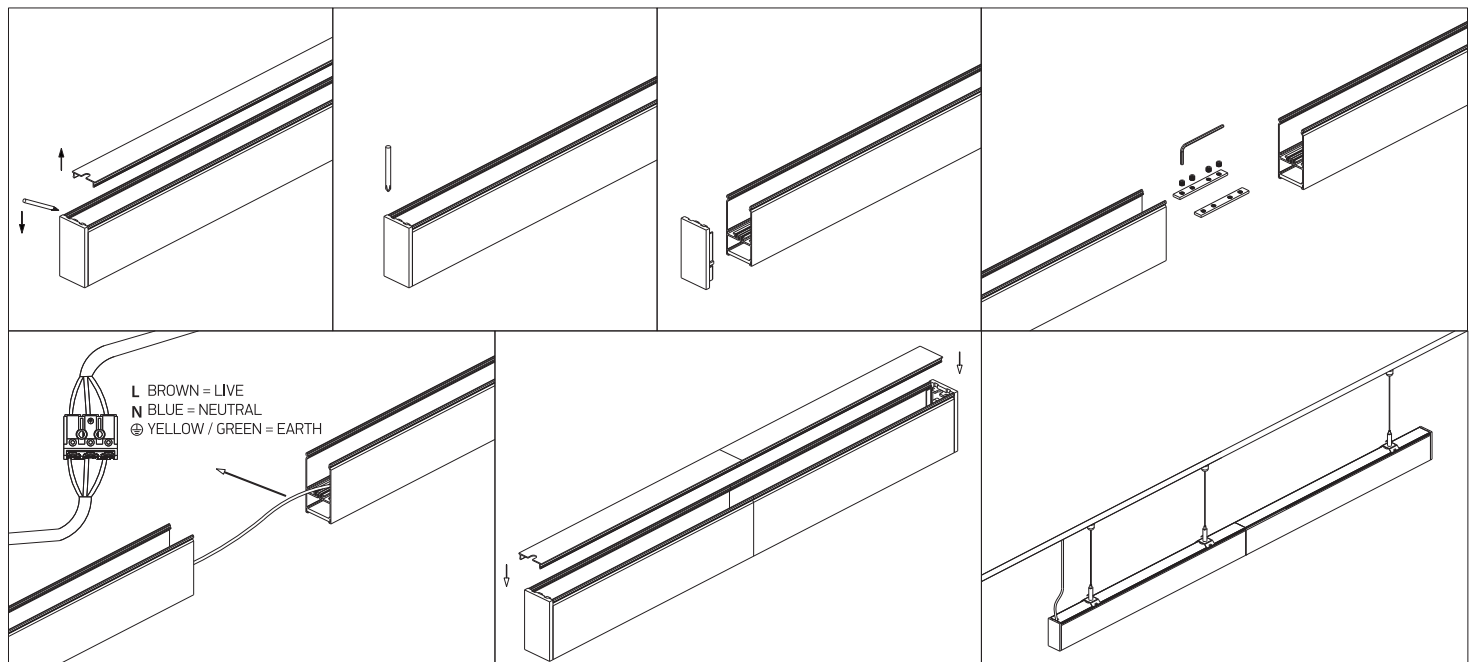
**one**  
LIGHT



## A INSTALLATION



## B CONNECTION



L BROWN = LIVE  
N BLUE = NEUTRAL  
⊕ YELLOW / GREEN = EARTH

### Warnings:

1. Make sure that the product is installed properly before connecting to electricity.
2. Do not cover the fitting.
3. Maintenance and installation should only be carried out by a professional electrician.