

# INSTALLATION MANUAL

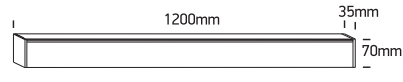
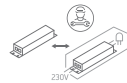
## 38150C

**ecolight**


UGR19

 90  
CRI

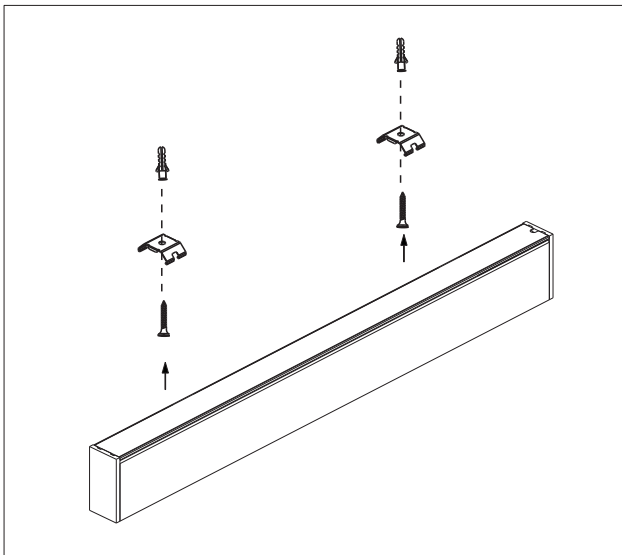

40W | 24LEDs + Diffuser | 230V | IP20 | Aluminium  
Complete with 1000mA driver.



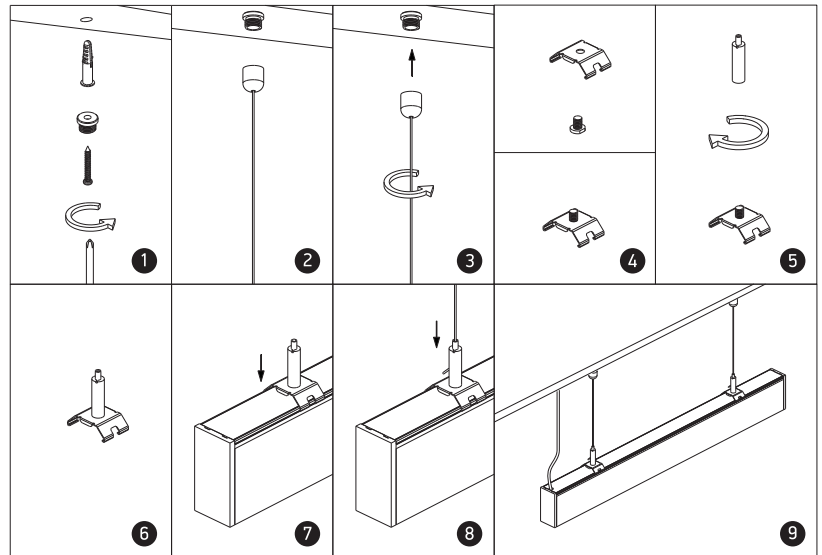
# one

LIGHT

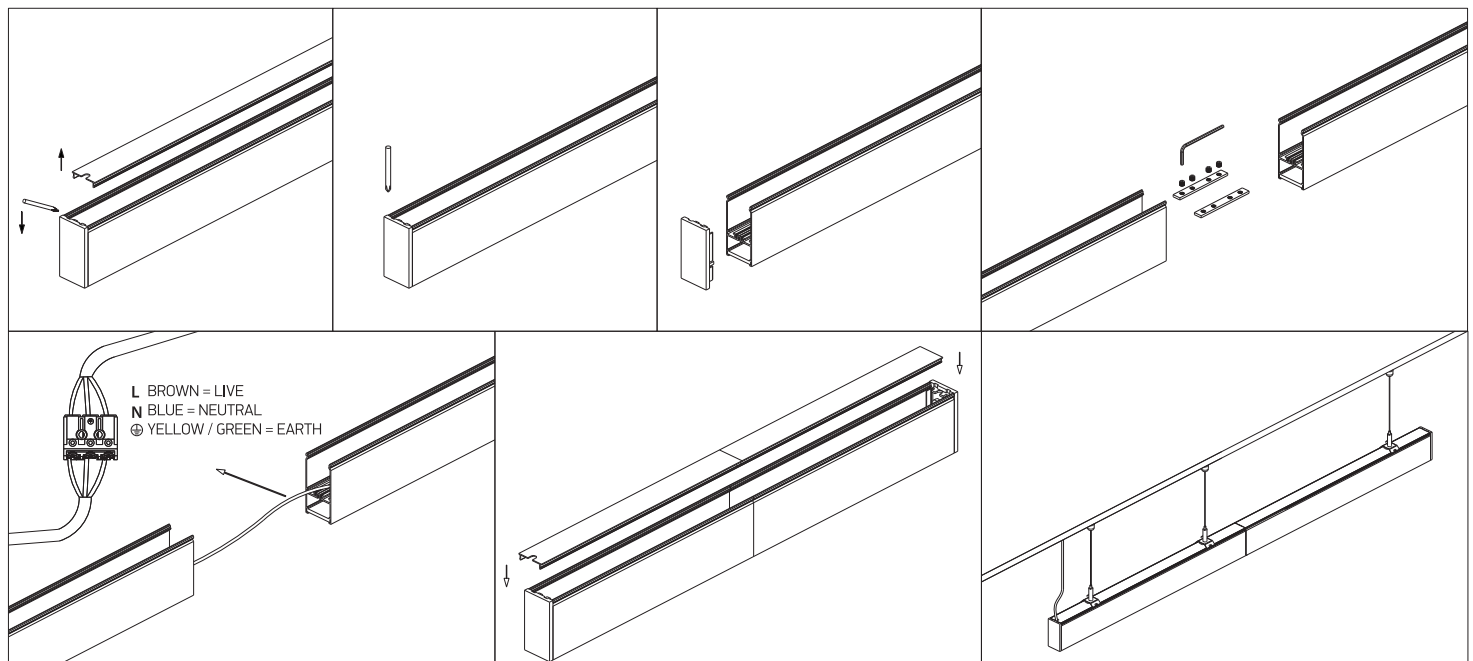
### A SURFACE INSTALLATION



### B SUSPENDED INSTALLATION



### C CONNECTION



#### Warnings:

1. Make sure that the product is installed properly before connecting to electricity.
2. Do not cover the fitting.
3. Maintenance and installation should only be carried out by a professional electrician.