

# INSTALLATION MANUAL

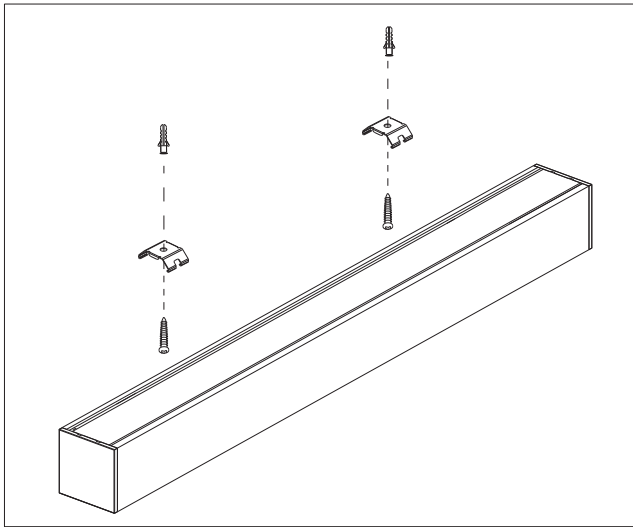
## 38160A



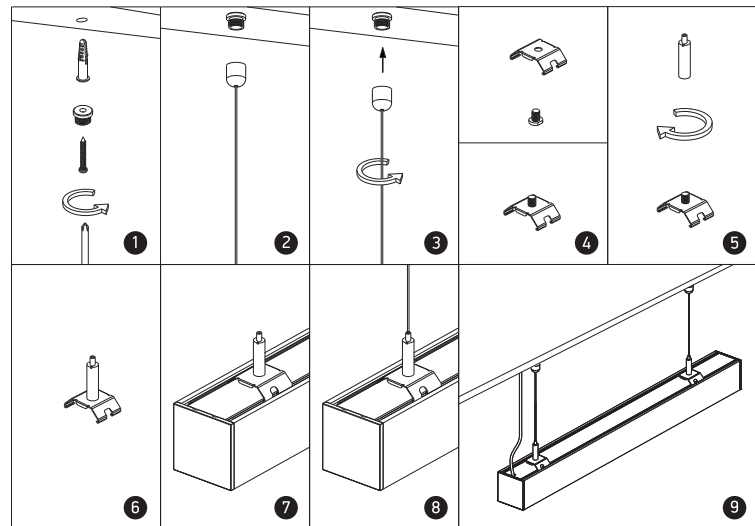
230V | SMD 2835 | 40W | IP20 | Aluminium  
Complete with 1000mA driver / Optional suspension kit 050170.



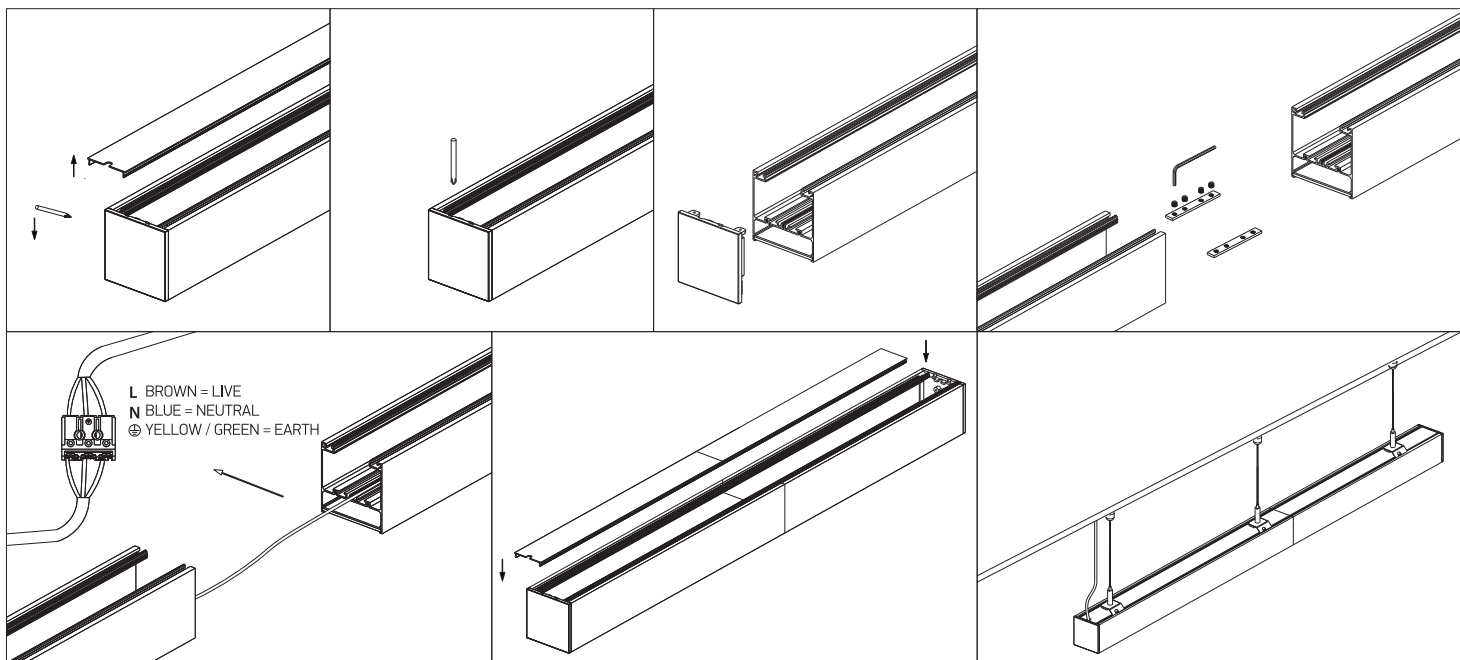
### A SURFACE INSTALLATION



### B SUSPENDED INSTALLATION



### C CONNECTION



#### Warnings:

1. Make sure that the product is installed properly before connecting to electricity.
2. Do not cover the fitting.
3. Maintenance and installation should only be carried out by a professional electrician.