

# INSTALLATION MANUAL

38161A

**LED**  
BUILT IN

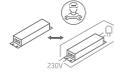
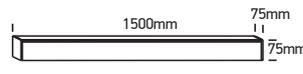
UGR19

90  
CRI**CE EAC UK CA**RoHS  
COMPLIANTNOT  
DIMMABLE

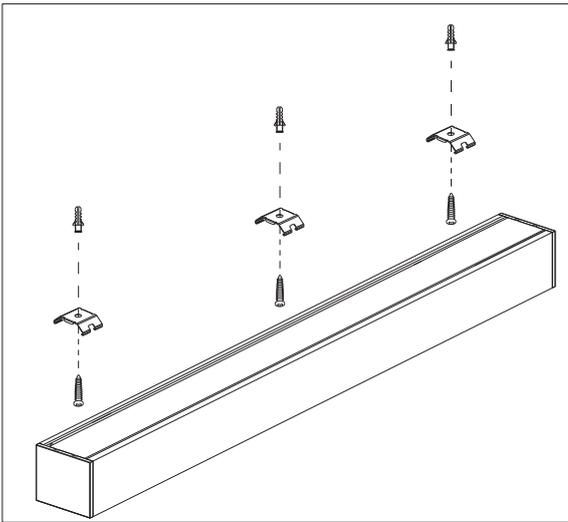
230V | SMD 2835 | 50W | IP20 | Aluminium

Complete with 1250mA driver / Can be connected in line.

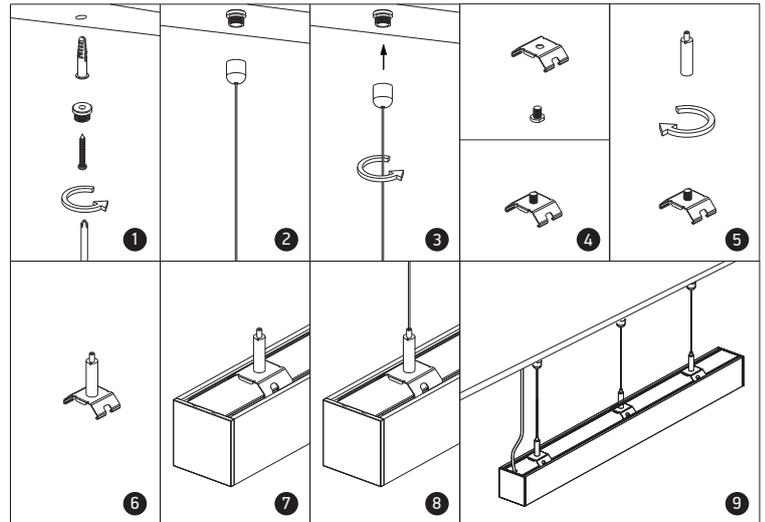
Optional suspension kit 050170.

300cm  
**one**  
LIGHT

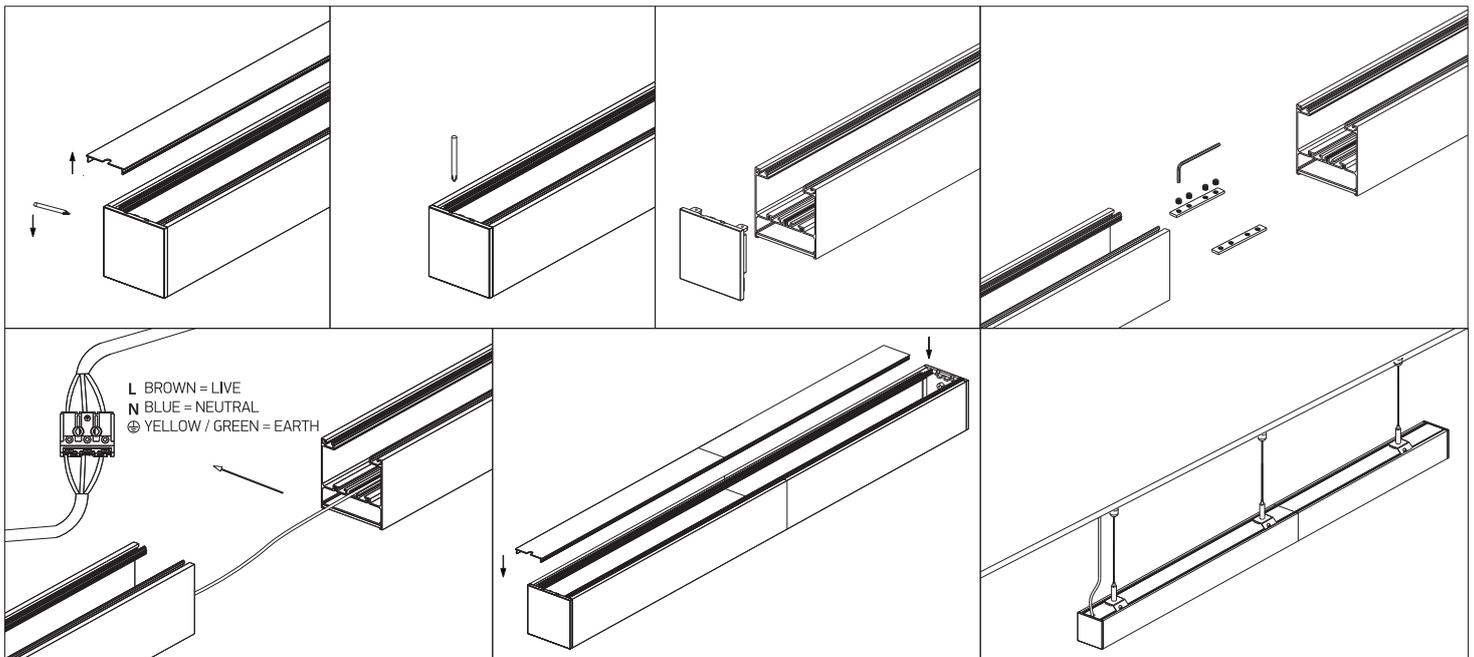
## A SURFACE INSTALLATION



## B SUSPENDED INSTALLATION



## C CONNECTION



### Warnings:

1. Make sure that the product is installed properly before connecting to electricity.
2. Do not cover the fitting.
3. Maintenance and installation should only be carried out by a professional electrician.