

INSTALLATION MANUAL

38161A

LED
BUILT IN


UGR19

 90
CRI

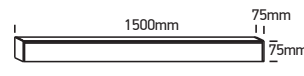
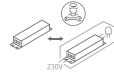
CE EAC UK CA
RoHS
COMPLIANT

 NOT
DIMMABLE

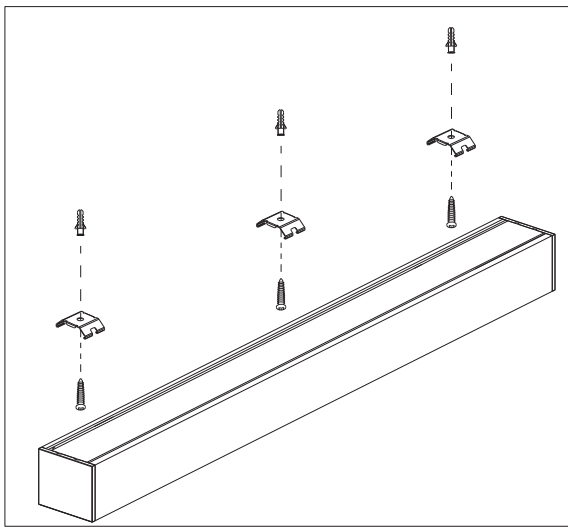
230V | SMD 2835 | 50W | IP20 | Aluminium

Complete with 1250mA driver / Can be connected in line.

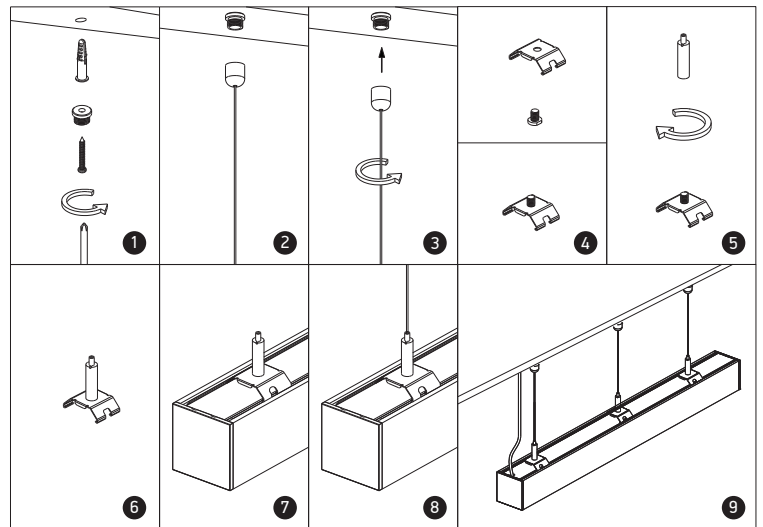
Optional suspension kit 050170.


one
LIGHT

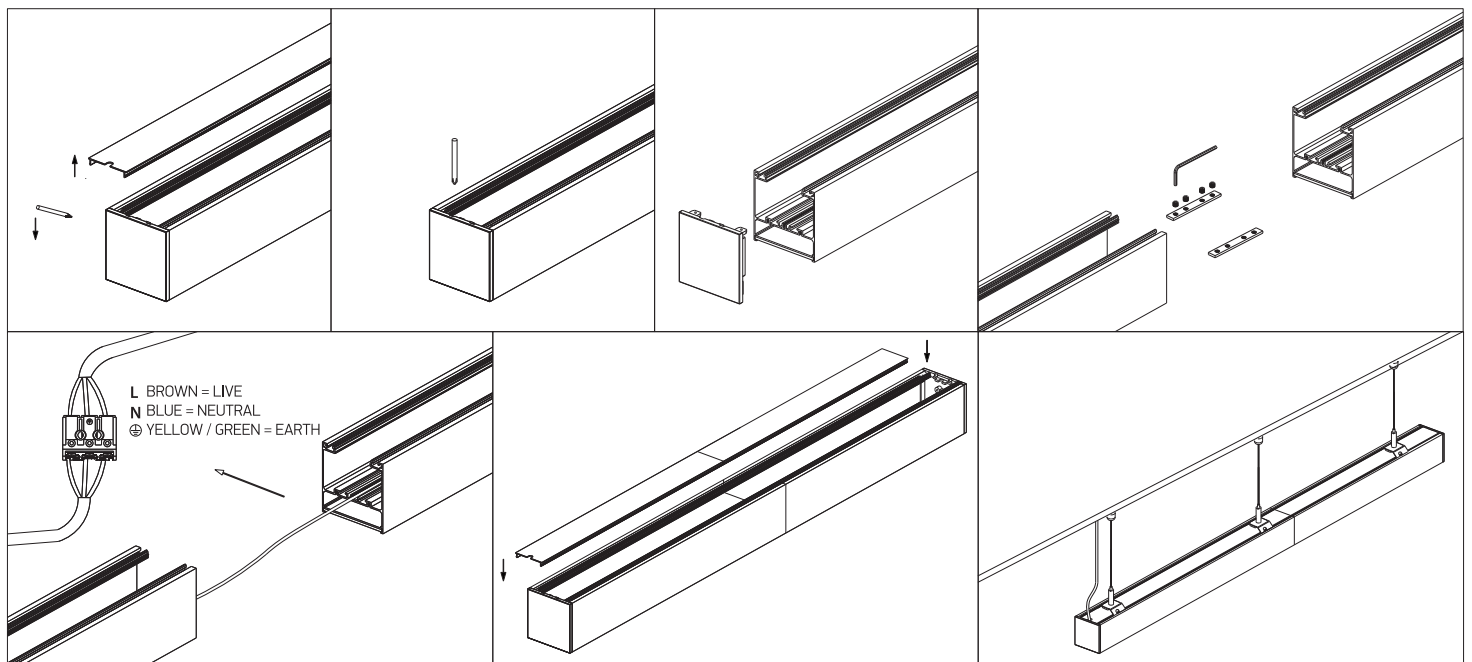
A SURFACE INSTALLATION



B SUSPENDED INSTALLATION



C CONNECTION



Warnings:

1. Make sure that the product is installed properly before connecting to electricity.
2. Do not cover the fitting.
3. Maintenance and installation should only be carried out by a professional electrician.