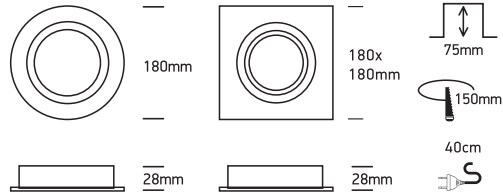
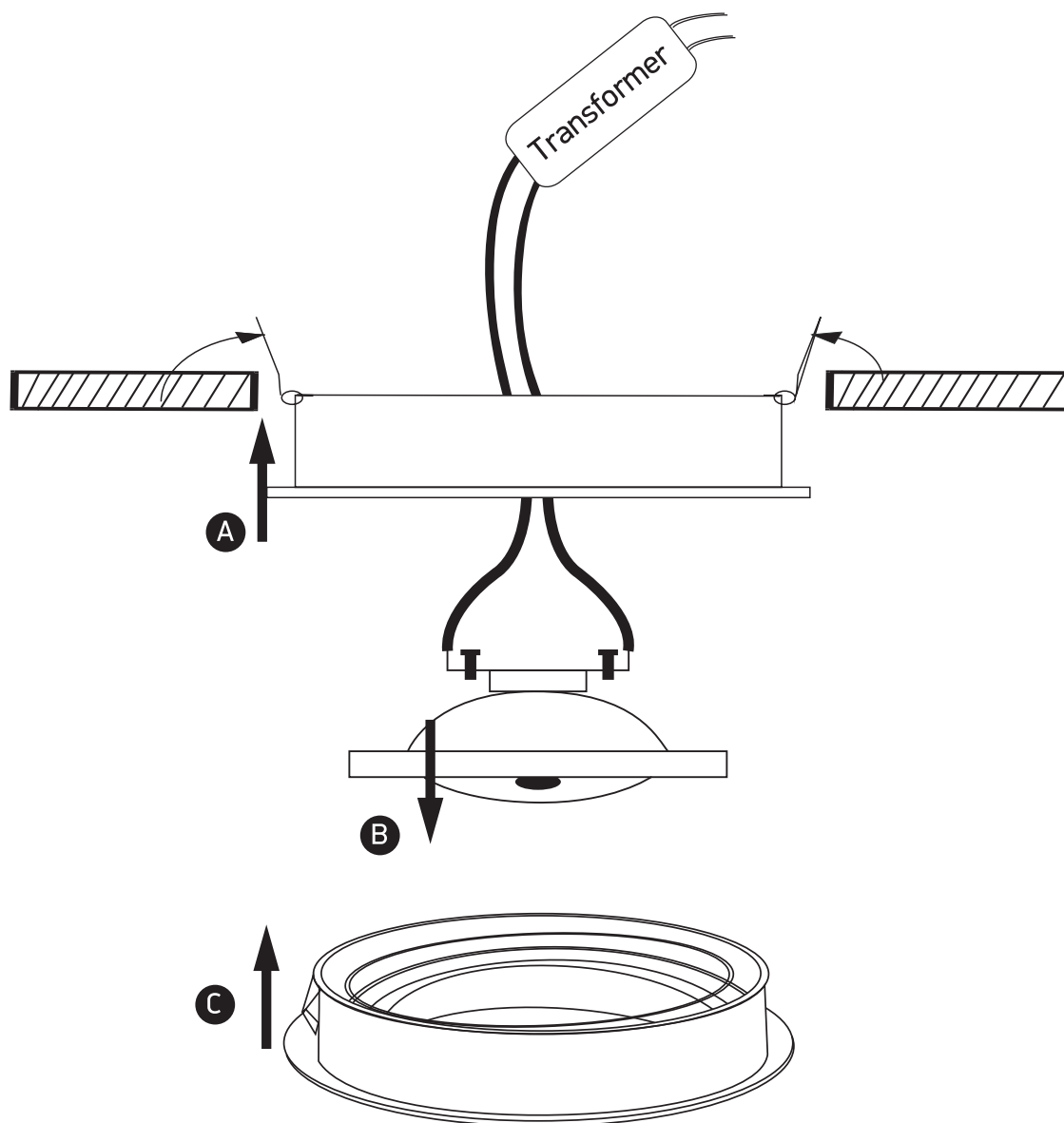


INSTALLATION MANUAL

11110AB, 51110AB



12V | R111 | G53 | 75W | IP20 | Aluminium | Adjustable



Warnings:

1. Make sure that the product is installed properly before connecting to electricity.
2. Do not cover the fitting.
3. Maintenance and installation should only be carried out by a professional electrician.