

INSTALLATION MANUAL

38280

ecolight



ADJUSTABLE

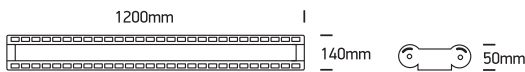
90 CRI



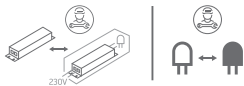
NOT DIMMABLE

230V | SMD 3030 & 2835 | 80W | IP20 | Adjustable | Aluminium

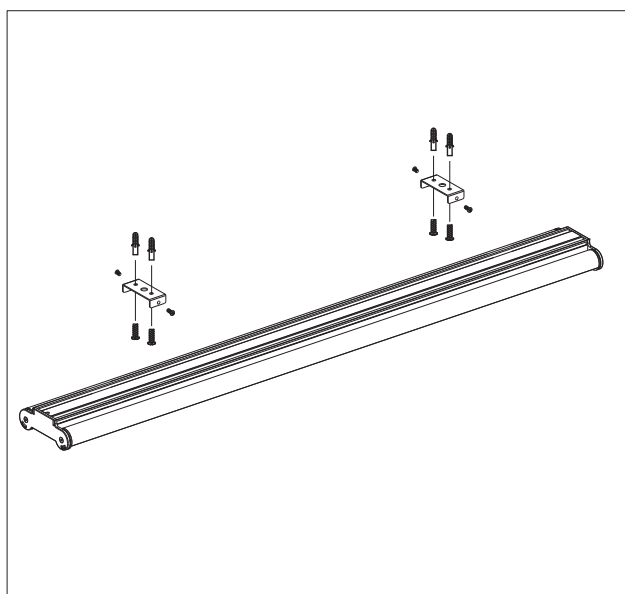
Complete with 600mA & 1500mA driver / Can be connected in line.



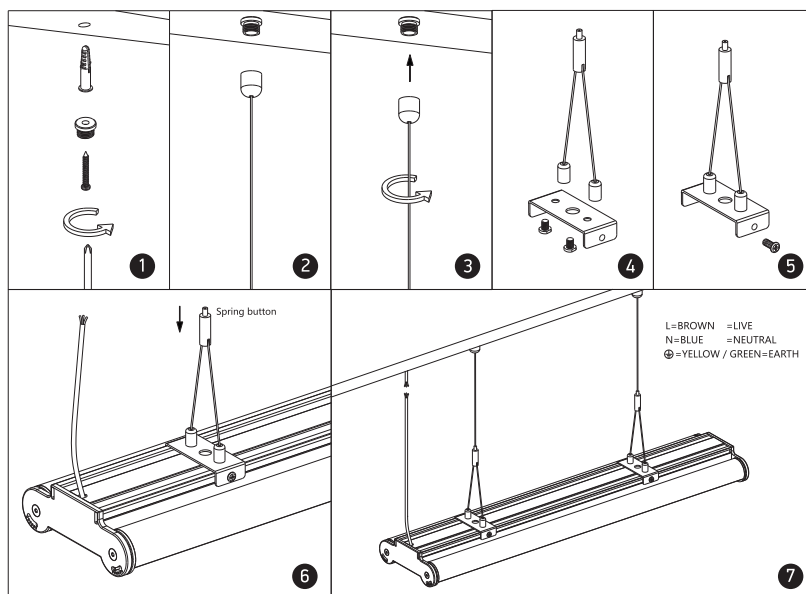
one
LIGHT



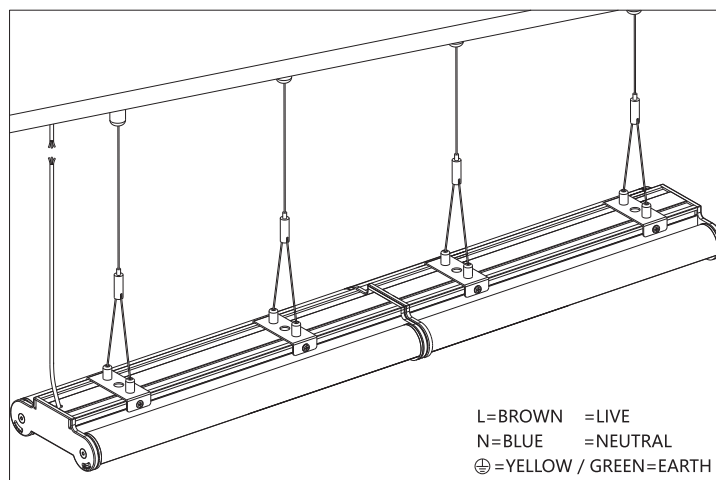
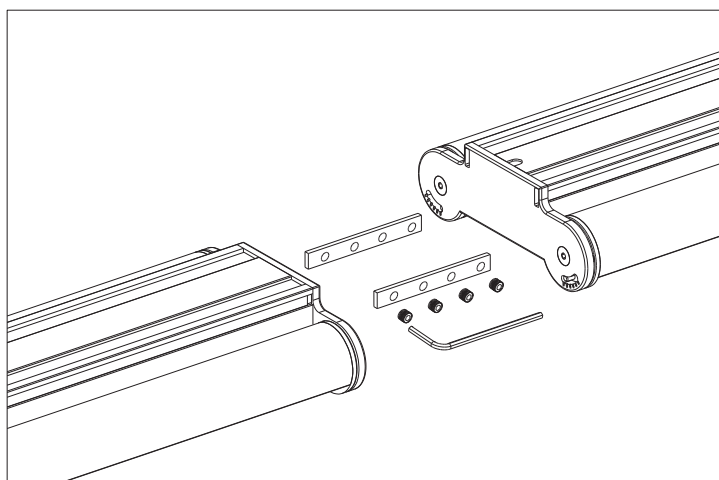
A SURFACE INSTALLATION



B SUSPENDED INSTALLATION



C CONNECTION



Warnings:

1. Make sure that the product is installed properly before connecting to electricity.
2. Do not cover the fitting.
3. Maintenance and installation should only be carried out by a professional electrician.