

# INSTALLATION MANUAL

12108FD

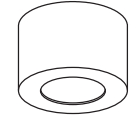
**ecolight**



**DARK  
LIGHT**



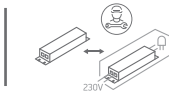
107mm



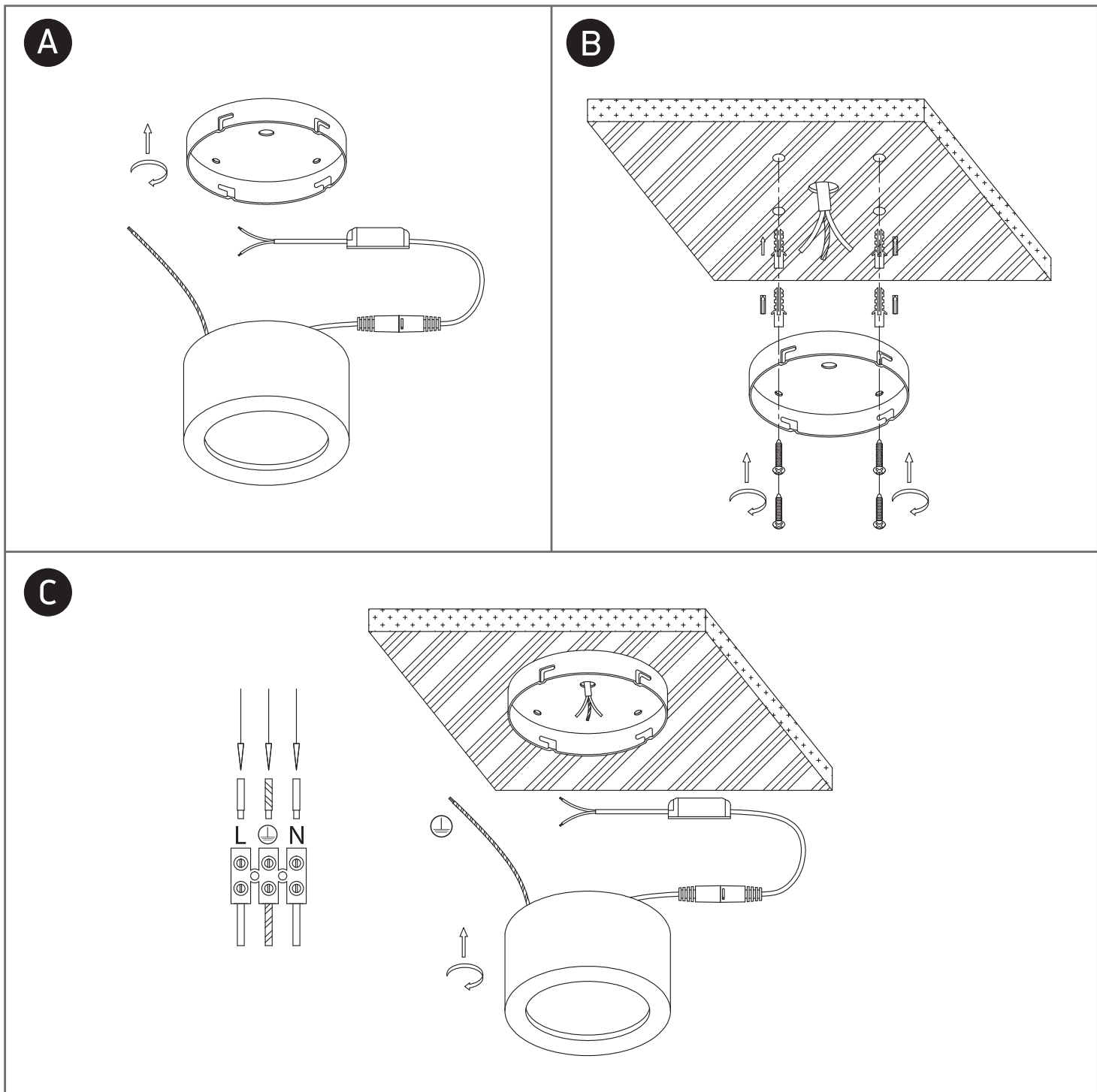
64mm

**one**  
LIGHT

230V | SMD 2835 | 8W | IP20 | Die cast  
Complete with 300mA driver.



80  
CRI



## Warnings:

1. Make sure that the product is installed properly before connecting to electricity.
2. Do not cover the fitting.
3. Maintenance and installation should only be carried out by a professional electrician.