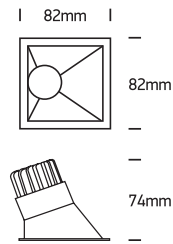


# INSTALLATION MANUAL

## 50108A

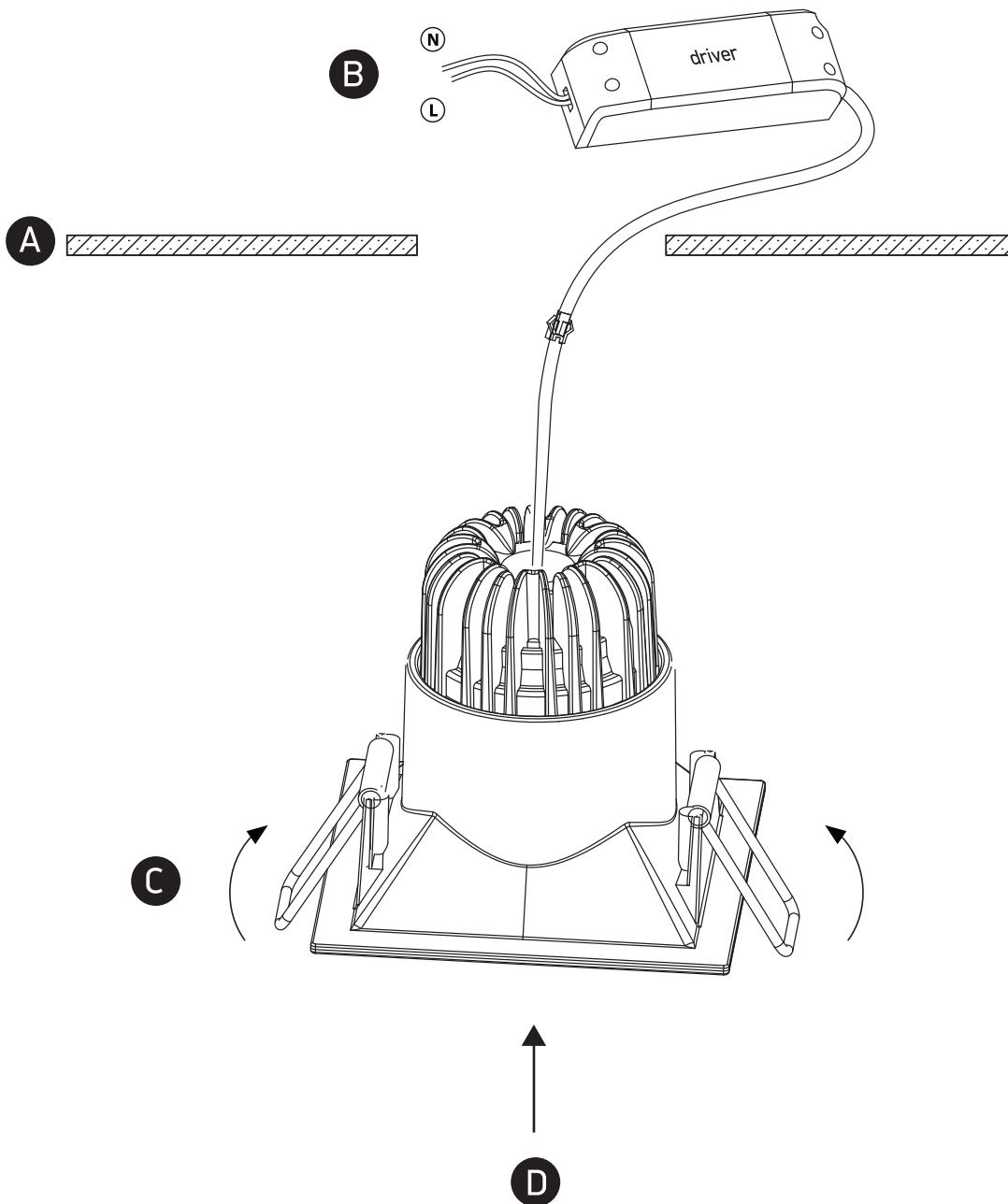
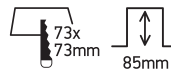
**ecolight**



**one**  
LIGHT

230V | COB LED | 8W | IP20 | Assymetric reflector | Die cast  
Complete with 350mA driver.

**80**  
CRI



### Warnings:

1. Make sure that the product is installed properly before connecting to electricity.
2. Do not cover the fitting.
3. Maintenance and installation should only be carried out by a professional electrician.