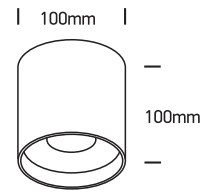


# INSTALLATION MANUAL

## 12122C

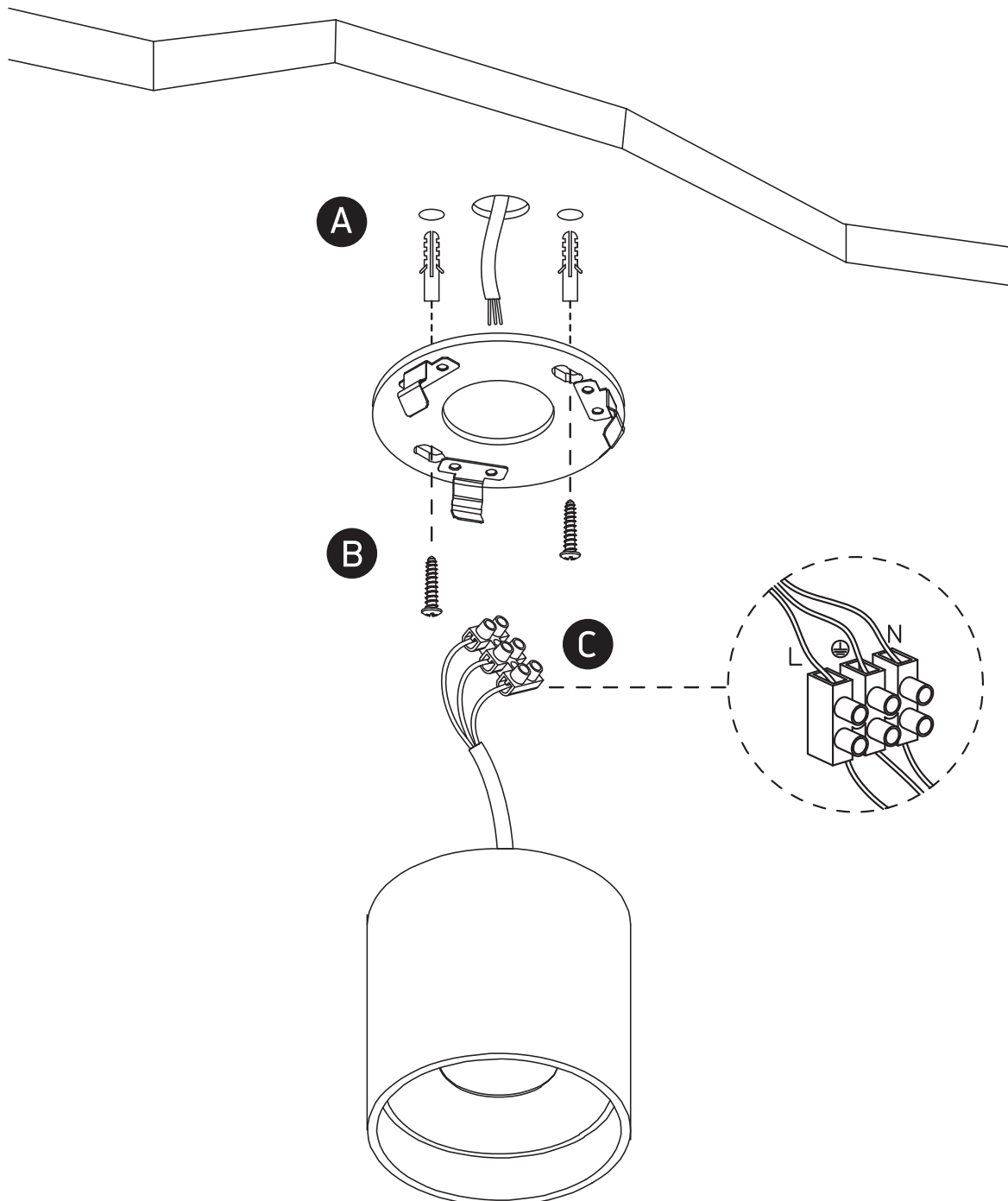
**ecolight**



230V | 22W | IP20 | Die cast

Complete with 500mA driver.

**90**  
CRI



### Warnings:

1. Make sure that the product is installed properly before connecting to electricity.
2. Do not cover the fitting.
3. Maintenance and installation should only be carried out by a professional electrician.